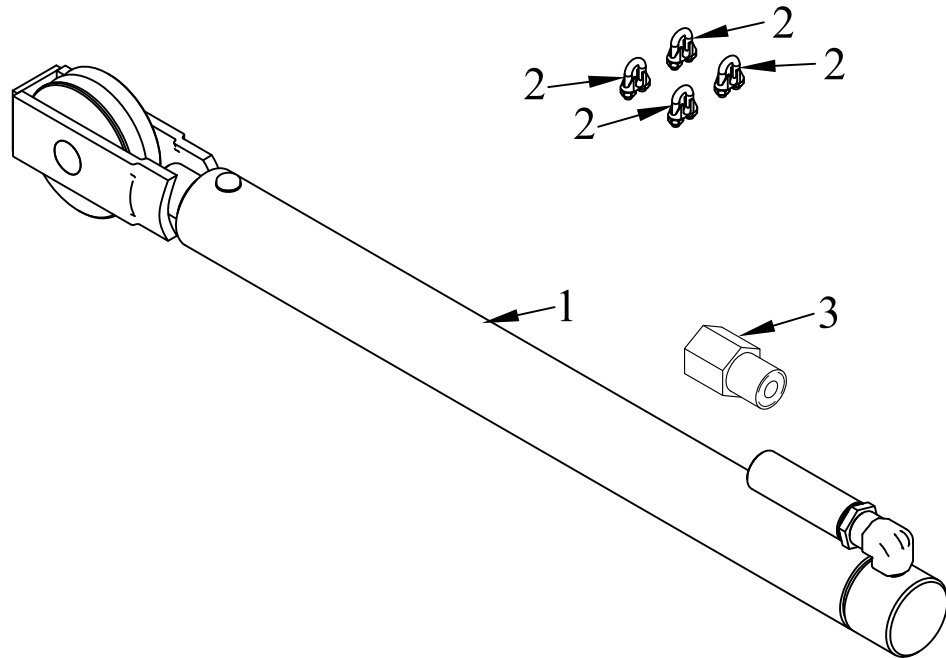


ITEM NO.	QTY.	PART NO.	DESCRIPTION
1	1	003420	1034 & 1036 CYLINDER COMPLETE WFC
2	4	004741	3/16" CABLE CLAMP
3	1	012964	#4 MORB TO #4 FEMALE NPT ADAPTOR (6405-4-4)
4	1	095071	ORIGINAL SERIES CYLINDER REPLACEMENT INSTRUCTIONS



REV.	DATE	CHANGE RECORD	BY	APPVD	ECN	DRAFT 2"	ANGULAR ±1"	SALES CATEGORY	PRODUCT LINE	SCALE N	FIN. WT.	PART NO. 9756														
C	11/14/13	ADDED (1) 012964	GDB		1004																					
B	1/10/11	ADDED 95071	JCB		400																					
						THIRD ANGLE PROJECTION		FILENAME:		WOODBINE MFG. CO. BUS BROWN DRIVE WOODBINE, IOWA 51579 712-647-2050 																
								SYMBOLY PER ANSI Y14.5					NOTES:													
						<table border="1"> <thead> <tr> <th>DECIMAL</th> <th>2PLC</th> <th>3PLC</th> </tr> </thead> <tbody> <tr> <td>MACHINE SAW, DRILL</td> <td>.030</td> <td>.015</td> </tr> <tr> <td>SHEAR, PUNCH FORM</td> <td>.060</td> <td>.030</td> </tr> <tr> <td>TORCH, WELDING ROUGH CAST</td> <td>.090</td> <td>.060</td> </tr> </tbody> </table>		DECIMAL	2PLC				3PLC	MACHINE SAW, DRILL	.030	.015	SHEAR, PUNCH FORM	.060	.030	TORCH, WELDING ROUGH CAST	.090	.060	DRAWN BY. DJR			
DECIMAL	2PLC	3PLC																								
MACHINE SAW, DRILL	.030	.015																								
SHEAR, PUNCH FORM	.060	.030																								
TORCH, WELDING ROUGH CAST	.090	.060																								
								DRAWN/DATE 6/24/04																		
								APPVD/DATE		TITLE 1034 & 1036 REPLACEMENT CYLINDER																

THE INFORMATION HERE IS CONFIDENTIAL AND MUST NOT BE USED IN ANYWAY DETRIMENTAL TO THE INTEREST OF WOODBINE MFG.