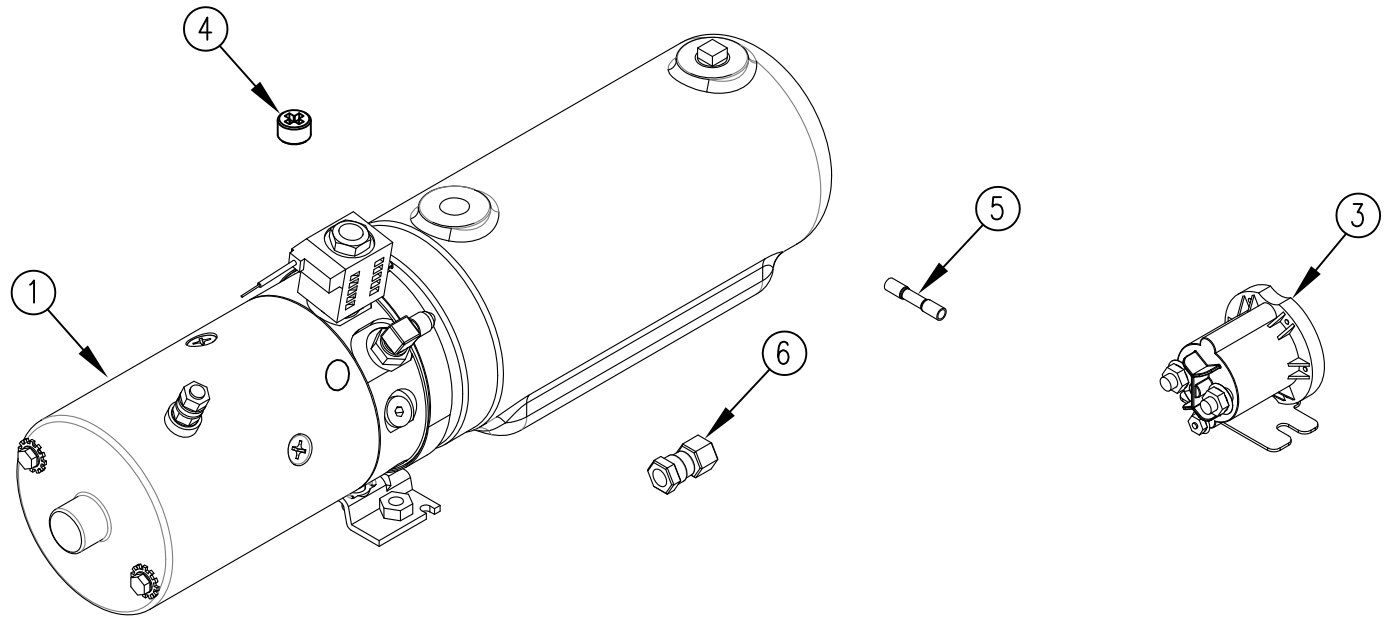


| ITEM NO. | QTY.      | PART NO. | DESCRIPTION                                 |
|----------|-----------|----------|---|
| 1        | 1         | 004489   | RAIL (N) P&M 3QT                            |
| 2        | 0.625 GAL | 009034   | HYDRAULIC OIL                               |
| 3        | 1         | 004321*  | MONARCH 3-POST SOLENOID                     |
| 4        | 1         | 004403*  | VENT PLUG                                   |
| 5        | 1         | 009089   | 16-14 HEAT SHRINK BUTT CONNECTOR            |
| 6        | 1         | 012967   | #4 FJIC TO #4 FEMALE NPT ADAPTOR (6506-4-4) |
| 7        | 1         | 095048   | REPLACEMENT POWER UNIT INSTALLATION INSTR.  |

\* ACCOUNTING DO NOT USE FOR B.O.M.



| REV.                      | DATE     | CHANGE RECORD                            | BY  | APPVD | ECN  | DRAFT  | ANGULAR | SALES CATEGORY   | PRODUCT LINE | SCALE                | FIN. WT.           | PART NO. |      |                   |      |      |                           |      |      |               |  |        |  |  |
|---------------------------|----------|--|-----|-------|------|--|---------|--|--------------|----------------------|--------------------|----------|------|-------------------|------|------|---------------------------|------|------|---------------|--|--------|--|--|
| D                         | 11/14/13 | ADDED (1) 012967                         | GDB |       | 1004 | 2'   | ±1°     |  |              |                      |                    |          |      |                   |      |      |                           |      |      |               |  |        |  |  |
| C                         | 2/14/12  | CHANGED PRESSURE FROM 3200PSI TO 3500PSI | JCB |       | 546  |  |         |  |              |                      |                    |          |      |                   |      |      |                           |      |      |               |  |        |  |  |
| B                         | 7/23/10  | ADDED (1) 9089 AND (1) 95048             | JCB |       | 310  |  |         |  |              |                      |                    |          |      |                   |      |      |                           |      |      |               |  |        |  |  |
| A                         | 8/15/07  | DRAWN IN AUTOCAD                         | JCB | KGJ   |      |  |         |  |              |                      |                    |          |      |                   |      |      |                           |      |      |               |  |        |  |  |
|                           |          |  |     |       |      | THIRD ANGLE PROJECTION   |         | FILENAME:  |              | WOODBINE MFG. CO.    |                    |          |      |                   |      |      |                           |      |      |               |  |        |  |  |
|                           |          |  |     |       |      |  |         | SYMBOLY PER ANSI Y14.5   |              | BUS BROWN DRIVE      |                    |          |      |                   |      |      |                           |      |      |               |  |        |  |  |
|                           |          |  |     |       |      | <table border="1"> <tr> <th>DECIMAL</th> <th>2PLC</th> <th>3PLC</th> </tr> <tr> <td>MACHINE SAW, DRILL</td> <td>.030</td> <td>.015</td> </tr> <tr> <td>SHEAR, PUNCH FORM</td> <td>.060</td> <td>.030</td> </tr> <tr> <td>TORCH, WELDING ROUGH CAST</td> <td>.090</td> <td>.060</td> </tr> </table> |         | DECIMAL  | 2PLC         | 3PLC                 | MACHINE SAW, DRILL | .030     | .015 | SHEAR, PUNCH FORM | .060 | .030 | TORCH, WELDING ROUGH CAST | .090 | .060 | DRAWN BY: JCB |  | NOTES: |  |  |
| DECIMAL                   | 2PLC     | 3PLC                                     |     |       |      |  |         |  |              |                      |                    |          |      |                   |      |      |                           |      |      |               |  |        |  |  |
| MACHINE SAW, DRILL        | .030     | .015                                     |     |       |      |  |         |  |              |                      |                    |          |      |                   |      |      |                           |      |      |               |  |        |  |  |
| SHEAR, PUNCH FORM         | .060     | .030                                     |     |       |      |  |         |  |              |                      |                    |          |      |                   |      |      |                           |      |      |               |  |        |  |  |
| TORCH, WELDING ROUGH CAST | .090     | .060                                     |     |       |      |  |         |  |              |                      |                    |          |      |                   |      |      |                           |      |      |               |  |        |  |  |
|                           |          |  |     |       |      |  |         | DRAWN/DATE: 8/15/07  |              | WOODBINE, IOWA 51579 |                    |          |      |                   |      |      |                           |      |      |               |  |        |  |  |
|                           |          |  |     |       |      |  |         | APPVD/DATE:  |              | 712-647-2050         |                    |          |      |                   |      |      |                           |      |      |               |  |        |  |  |
|                           |          |  |     |       |      |  |         | TITLE: M319 REPLACEMENT PUMP&MOTOR(3500psi)3QT. 2000# RAILGATE (N)   |              |                      |                    |          |      |                   |      |      |                           |      |      |               |  |        |  |  |
|                           |          |  |     |       |      |  |         | THE INFORMATION HERE IS CONFIDENTIAL AND MUST NOT BE USED IN ANYWAY DETRIMENTAL TO THE INTEREST OF WOODBINE MFG. |              |                      |                    |          |      |                   |      |      |                           |      |      |               |  |        |  |  |
|                           |          |  |     |       |      |  |         | SALES CATEGORY   |              |                      |                    |          |      |                   |      |      |                           |      |      |               |  |        |  |  |
|                           |          |  |     |       |      |  |         | SCALE: 1:4   |              |                      |                    |          |      |                   |      |      |                           |      |      |               |  |        |  |  |
|                           |          |  |     |       |      |  |         | FIN. WT.   |              |                      |                    |          |      |                   |      |      |                           |      |      |               |  |        |  |  |
|                           |          |  |     |       |      |  |         | PART NO.   |              | 4291                 |                    |          |      |                   |      |      |                           |      |      |               |  |        |  |  |