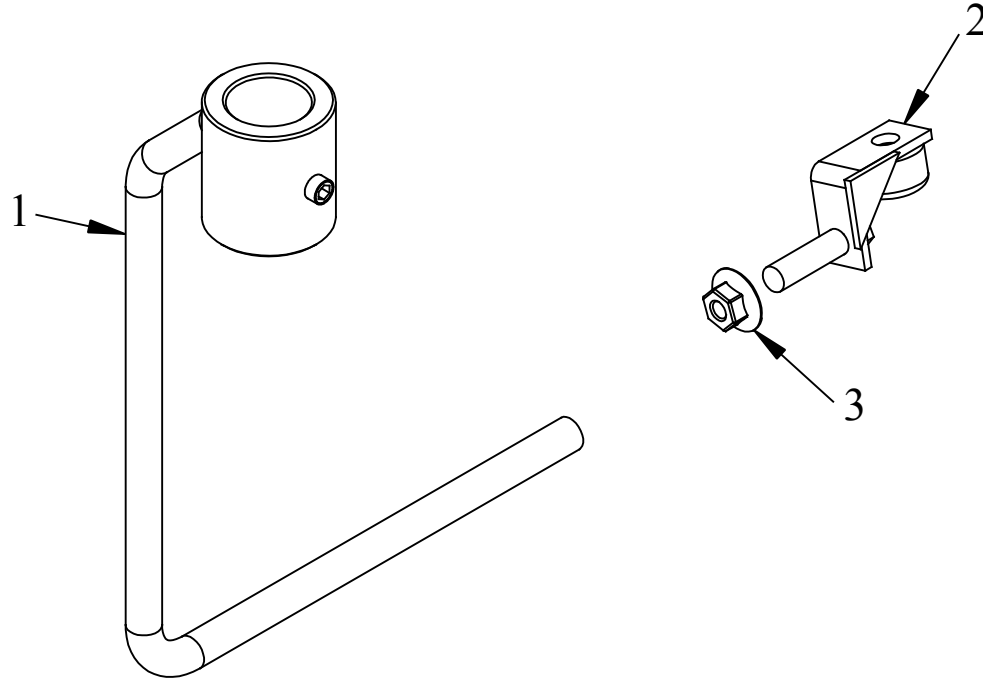



ITEM NO.	QTY.	PART NO.	DESCRIPTION
1	1	1473	650 FLIPPER ARM SELF-CLOSING ROD
2	1	1318	COMPLETE 650-31 FLIPPER STOP
3	1	553	3/8-16 LARGE FLANGE LOCK NUT



REV.	DATE	CHANGE RECORD	BY	APPVD	ECN	THIRD ANGLE PROJECTION			FILENAME:	NOTES:	WOODBINE MFG. CO. BUS BROWN DRIVE WOODBINE, IOWA 51579 712-647-2050		
						DECIMAL	2PLC	3PLC	SYMBOLY PER ANSI Y14.5				DRAWN BY: DJR
B	6/17/15	REMOVED PN1487	MTC		1413	MACHINE SAW, DRILL	.030	.015					
A.1	1/7/14	REPLACED 2203 KIT WITH INDIVIDUAL PARTS	JCB			SHEAR, PUNCH FORM	.060	.030					
						TORCH, WELDING ROUGH CAST	.090	.060					
						DRAFT 2°		ANGULAR ±1°			SCALE N	FIN. WT.	PART NO. 2722

THE INFORMATION HERE IS CONFIDENTIAL AND MUST NOT BE USED IN ANYWAY DETRIMENTAL TO THE INTEREST OF WOODBINE MFG.