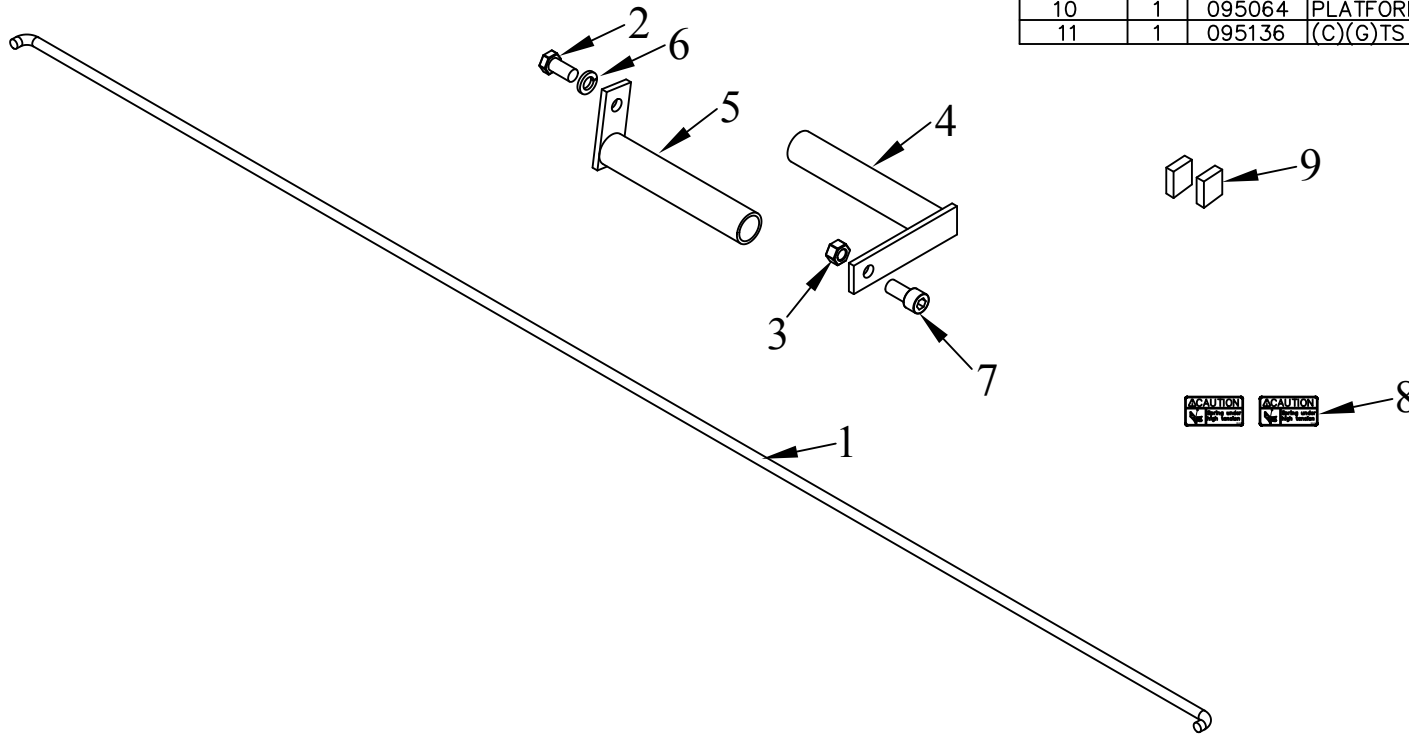


ITEM NO.	QTY.	PART NO.	DESCRIPTION
1	1	007870	.38"x64.313" TORSION SPRING(64EA)
2	1	000587	1/2-13x1" HHCS GR5
3	1	000588	1/2-13 CROWN LOCK NUT
4	1	007709	HINGE TUBE SPRING HOLDER-40EA PASS
5	1	007778	HINGE TUBE SPRING HOLDER-EA DRIVER
6	1	000573	1/2" SPRING LOCKWASHER
7	1	000604	1/2-13x1"USS SOC HD CAP STAINLESS
8	2	009540	WARNING DECAL - SPRING TENSION
9	2	013461	.50"SQ.x.341" BAR-SPRING SPACER
10	1	095064	PLATFORM AND/OR TORSION SPRING (CABLE/G2)
11	1	095136	(C)(G)TS SPACER INSTALLATION GUIDE (65)



REV.	DATE	CHANGE RECORD	BY	APPVD	ECN	THIRD ANGLE PROJECTION	FILENAME:	SYMBOLY PER ANSI Y14.5	NOTES:	SALES CATEGORY	PRODUCT LINE	SCALE	FIN. WT.	PART NO.																							
C	8/7/14	ADDED (2) 13461, AND (1) 95136	GDB		1180	<table border="1"> <tr> <td>DECIMAL</td> <td>2PLC</td> <td>3PLC</td> </tr> <tr> <td>MACHINE SAW,DRILL</td> <td>.030</td> <td>.015</td> </tr> <tr> <td>SHEAR, PUNCH FORM</td> <td>.060</td> <td>.030</td> </tr> <tr> <td>TORCH, WELDING ROUGH CAST</td> <td>.090</td> <td>.060</td> </tr> <tr> <td>DRAFT 2'</td> <td colspan="2">ANGULAR ±1'</td> </tr> </table>	DECIMAL	2PLC	3PLC	MACHINE SAW,DRILL	.030	.015	SHEAR, PUNCH FORM	.060	.030	TORCH, WELDING ROUGH CAST	.090	.060	DRAFT 2'	ANGULAR ±1'		712-647-2050	<table border="1"> <tr> <td>DRAWN BY.</td> <td>DJR</td> </tr> <tr> <td>DRAWN/DATE</td> <td>7/12/04</td> </tr> <tr> <td>APPVD/DATE</td> <td></td> </tr> </table>	DRAWN BY.	DJR	DRAWN/DATE	7/12/04	APPVD/DATE		WOODBINE MFG. CO. BUS BROWN DRIVE WOODBINE, IOWA 51579	712-647-2050		EA TORSION SPRING KIT(64)		N		8027
DECIMAL	2PLC	3PLC																																			
MACHINE SAW,DRILL	.030	.015																																			
SHEAR, PUNCH FORM	.060	.030																																			
TORCH, WELDING ROUGH CAST	.090	.060																																			
DRAFT 2'	ANGULAR ±1'																																				
DRAWN BY.	DJR																																				
DRAWN/DATE	7/12/04																																				
APPVD/DATE																																					
B	3/29/11	ADDED (2) 9540, (1) 95064	JCB		427																																
A	8/8/06	UPDATED BOM	JCB	KGJ																																	
<p>THE INFORMATION HERE IS CONFIDENTIAL AND MUST NOT BE USED IN ANYWAY DETRIMENTAL TO THE INTEREST OF WOODBINE MFG.</p>																																					