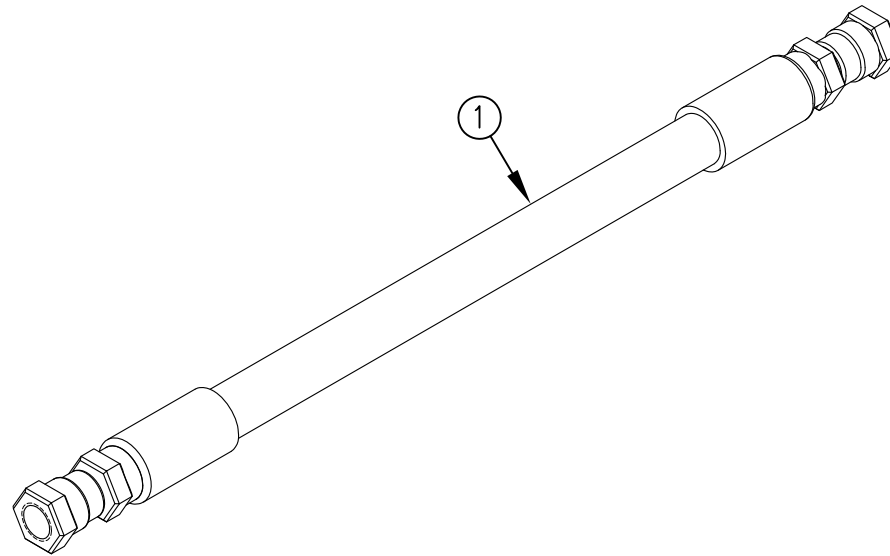
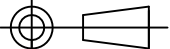



ITEM NO.	QTY.	PART NO.	DESCRIPTION
1	1	010580	1/4" x 10-5/8" HYDRAULIC HOSE(CANTILEVER)



						THIRD ANGLE PROJECTION 	DRAWN BY JCB	NOTES:     	WOODBINE MFG. CO. BUS BROWN DRIVE WOODBINE, IOWA 51579 
						UNLESS OTHERWISE SPECIFIED	DRAWN/DATE 8/1/11		
						DIMENSIONS ARE IN INCHES TOLERANCES: FRACTIONAL ±1/16 ANGULAR MACH ±1° BEND ±1°	APPVD/DATE -		
B	6/9/21	UPDATED BOM DESCRIPTION	JCB	2636		TWO PLACE DECIMAL ±0.030 THREE PLACE DECIMAL ±0.010	DO NOT SCALE DRAWING	TITLE REPL. HYDRAULIC HOSE-POWER UNIT (CANTILEVER)	
A	8/1/11	RELEASED TO PRODUCTION	JCB	450					
REV.	DATE	CHANGE RECORD	BY	APPVD	ECN	THE INFORMATION HERE IS CONFIDENTIAL AND MUST NOT BE USED IN ANY WAY DETRIMENTAL TO THE INTEREST OF WOODBINE MFG.	SCALE 1:2	WEIGHT -	PART NO. 11452