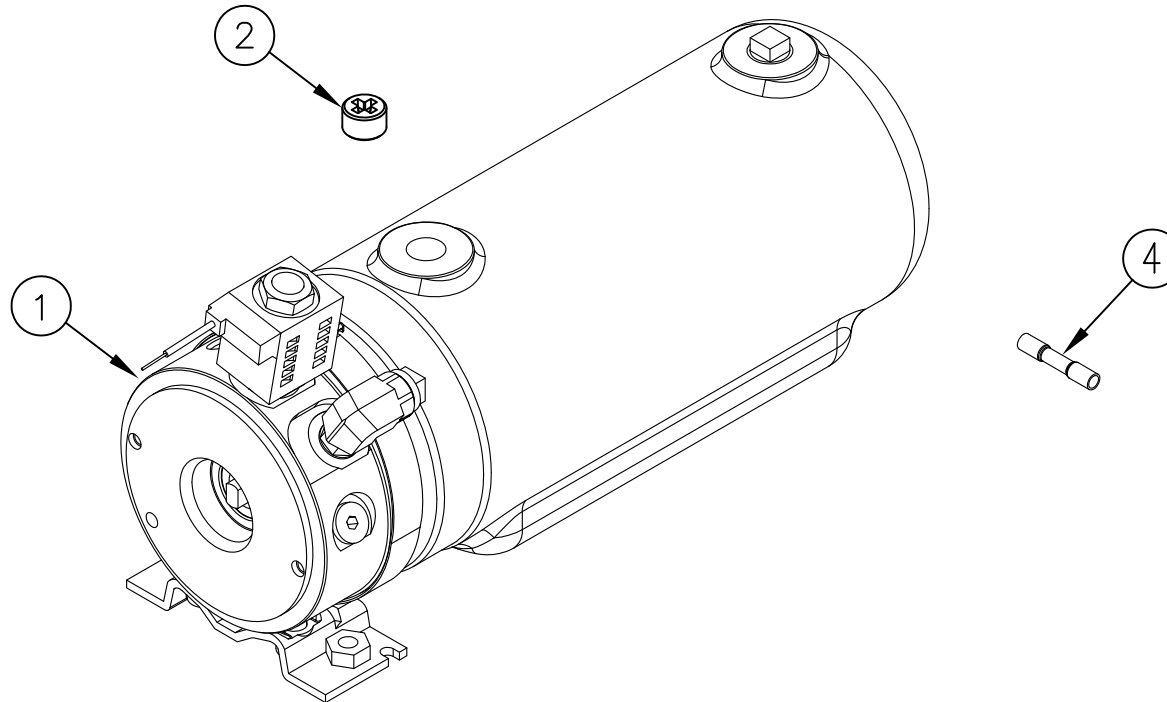


ITEM NO.	QTY.	PART NO.	DESCRIPTION
1	1	010383	MONARCH PUMP AND 3QT CABLE TANK (FOR REPAIR)
2	1	004403*	VENT PLUG
3	0.625 GAL.	009034	HYDRAULIC OIL
4	1	009089	16-14 HEAT SHRINK BUTT CONNECTOR

\*ACCOUNTING-DO NOT USE FOR B.O.M.



REV.	DATE	CHANGE RECORD	BY	APPVD	ECN	DRAFT	ANGULAR	SALES CATEGORY	PRODUCT LINE	SCALE	FIN. WT.	PART NO.
B	11/18/10	REPLACED 4298, 4331, AND 4350 WITH 10383; ADDED (1) 9089	JCB		370	2'	±1°					
A	5/12/06	DRAWN IN AUTOCAD	JCB	KGJ								
												4296

THIRD ANGLE PROJECTION		
DECIMAL	2PLC	3PLC
MACHINE SAW, DRILL	.030	.015
SHEAR, PUNCH FORM	.060	.030
TORCH, WELDING ROUGH CAST	.090	.060

FILENAME:	NOTES:
SYMBOLY PER ANSI Y14.5	
DRAWN BY. JCB	
DRAWN/DATE 5/12/06	
APPVD/DATE	TITLE
	M319 PUMP (ONLY) W/ 3QT TANK (2000PSI)

WOODBINE MFG. CO.  
 BUS BROWN DRIVE  
 WOODBINE, IOWA 51579

712-647-2050

THE INFORMATION HERE IS CONFIDENTIAL AND MUST NOT BE USED IN ANYWAY DETRIMENTAL TO THE INTEREST OF WOODBINE MFG.