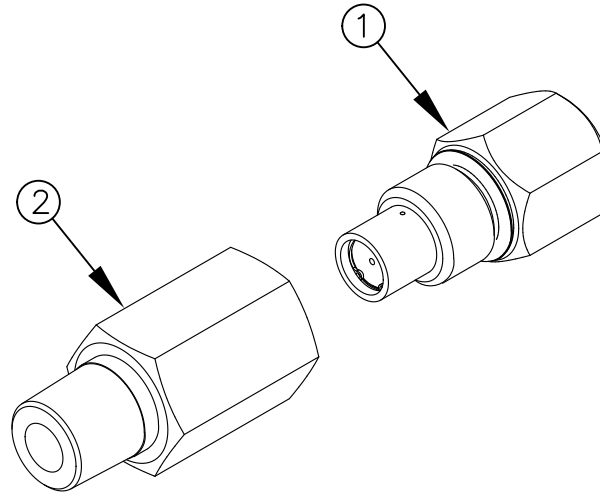



| ITEM NO. | QTY. | PART NO. | DESCRIPTION |
|----------|------|----------|--------------------------------------|
| 1 | 1 | 13235 | G2 FLOW CONTROL COMPLETE, ORING |
| 2 | 1 | 13328 | FLOW CONTROL ADAPTER (G2/CANTILEVER) |



| REV. | DATE | CHANGE RECORD | BY | APPVD | ECN | THIRD ANGLE PROJECTION | | | FILENAME: | | NOTES: | WOODBINE MFG. CO. BUS BROWN DRIVE WOODBINE, IOWA 51579 | |
|------|---------|-------------------------|-----|-------|------|---------------------------|------|-------------|------------------------|------------------------|-----------|--|--|
| | | | | | | DECIMAL | 2PLC | 3PLC | SYMBOLY PER ANSI Y14.5 | SYMBOLY PER ANSI Y14.5 | | | |
| B | 6/27/14 | ADDED (1) 13328 | JCB | | 1153 | MACHINE SAW, DRILL | .030 | .015 | DRAWN BY. LSB | | | 712-647-2050 |  |
| A | 6/5/13 | RELEASED FOR PRODUCTION | LSB | | 829 | SHEAR, PUNCH FORM | .060 | .030 | DRAWN/DATE 6/5/13 | | | | |
| | | | | | | TORCH, WELDING ROUGH CAST | .090 | .060 | APPVD/DATE | TITLE | | | THE INFORMATION HERE IS CONFIDENTIAL AND MUST NOT BE USED IN ANYWAY DETRIMENTAL TO THE INTEREST OF WOODBINE MFG. |
| | | | | | | DRAFT 2' | | ANGULAR ±1' | SALES CATEGORY | PRODUCT LINE | SCALE 1:1 | FIN. WT. 0.40 | PART NO. 13360 |