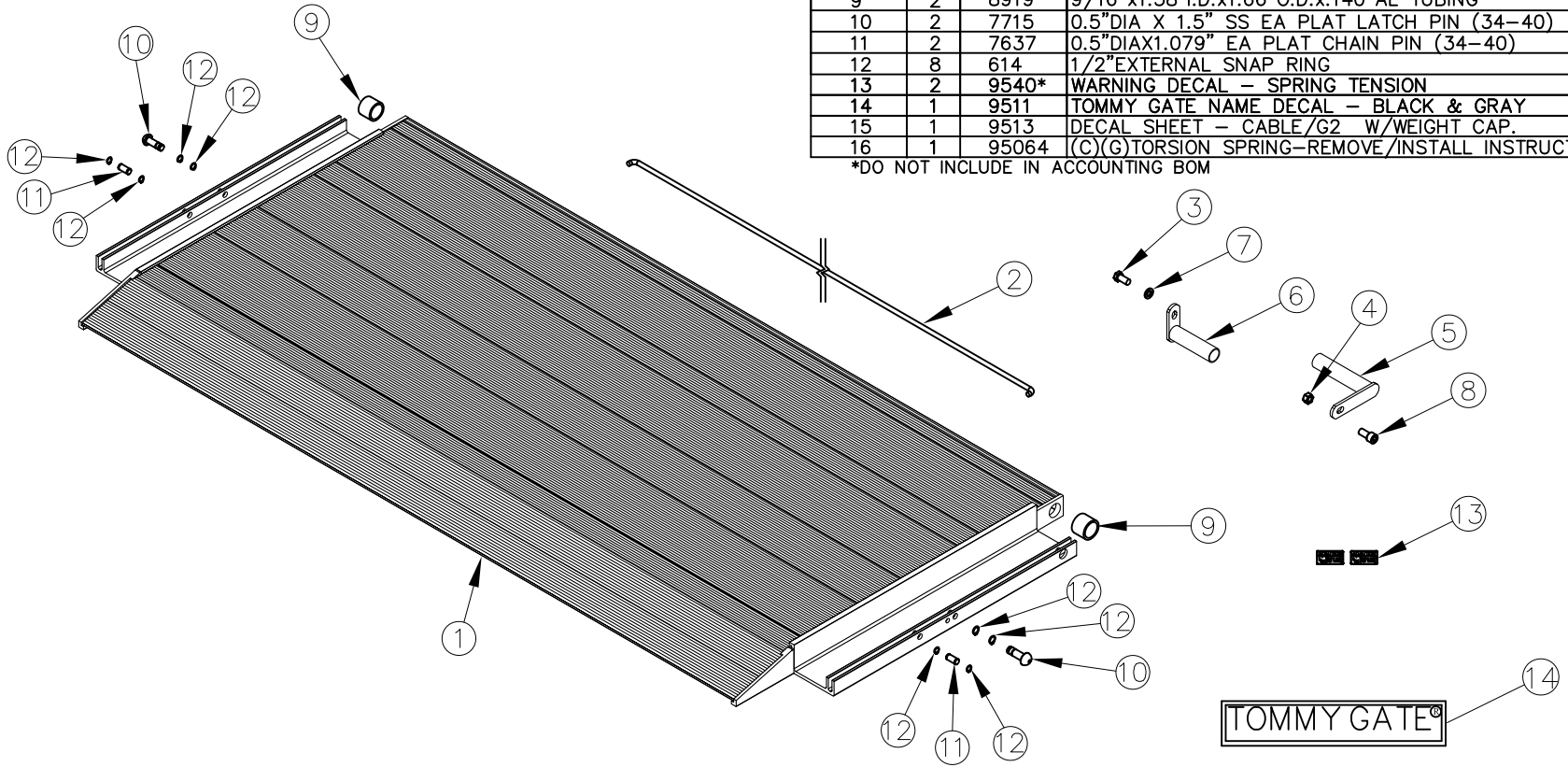

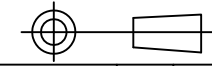


ITEM NO.	QTY.	PART NO.	DESCRIPTION
1	1	3410	80 EA PLATFORM COMPLETE
2	1	7872	0.375 X 79.063 SPRING (80 EA)
3	1	587	1/2-13x1" HHCS GR5
4	1	588	1/2-13 CROWN LOCK NUT
5	1	7710	HINGE TUBE SPRING HOLDER-46EA PASS
6	1	7778	HINGE TUBE SPRING HOLDER-EA DRIVER
7	1	573	1/2" SPRING LOCKWASHER
8	1	604	1/2-13x1"USS SOC HD CAP STAINLESS
9	2	8919	9/16"x1.38" I.D.x1.66" O.D.x.140" AL TUBING
10	2	7715	0.5"DIA X 1.5" SS EA PLAT LATCH PIN (34-40)
11	2	7637	0.5"DIA X 1.079" EA PLAT CHAIN PIN (34-40)
12	8	614	1/2"EXTERNAL SNAP RING
13	2	9540*	WARNING DECAL - SPRING TENSION
14	1	9511	TOMMY GATE NAME DECAL - BLACK & GRAY
15	1	9513	DECAL SHEET - CABLE/G2 W/WEIGHT CAP.
16	1	95064	(C)(G)TORSION SPRING-REMOVE/INSTALL INSTRUCT

*DO NOT INCLUDE IN ACCOUNTING BOM



NOTES: APPLY DECALS FROM 9513 SHEET SAME AS PRODUCTION
SEND (2) 9540 LOOSE

REV.	DATE	CHANGE RECORD	BY	APPVD	ECN	DRAFT 2'	ANGULAR ±1°	SALES CATEGORY	PRODUCT LINE	SCALE 1:15	FIN. WT.	PART NO. 1640		
D	9/30/16	ADDED (1) 9511, (1) 9513, (1) 95064	AAS		1709									
C	11/15/10	ADDED (2) 9540	JCB		367									
B	7/13/10	REPLACED KITS WITH INDIVIDUAL PARTS; REPLACED (1) 8920 W/ (1) 8919	JCB		276									
						THIRD ANGLE PROJECTION		FILENAME:		WOODBINE MFG. CO. BUS BROWN DRIVE WOODBINE, IOWA 51579  <small>THE INFORMATION HERE IS CONFIDENTIAL AND MUST NOT BE USED IN ANYWAY DETRIMENTAL TO THE INTEREST OF WOODBINE MFG.</small>				
						 DECIMAL 2PLC 3PLC MACHINE SAW, DRILL .030 .015 SHEAR, PUNCH FORM .060 .030 TORCH, WELDING ROUGH CAST .090 .060		SYMBOLY PER ANSI Y14.5					NOTES:	
								DRAWN BY. DJR						
								DRAWN/DATE 3/15/05						
								APPVD/DATE		TITLE 80 EA REPLACEMENT PLATFORM				