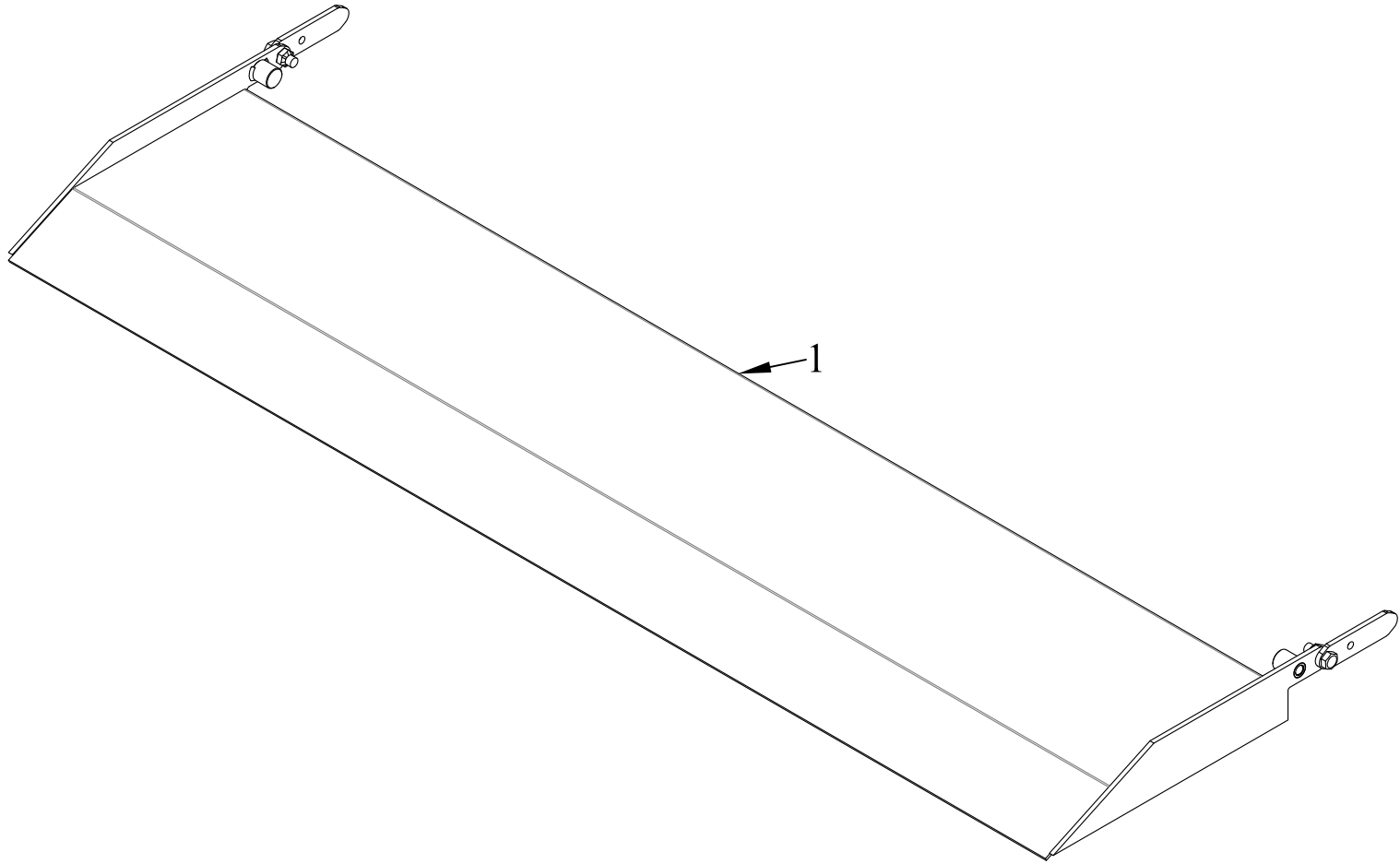
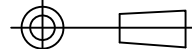


ITEM NO.	QTY.	PART NO.	DESCRIPTION
1	1	14134	G2 92-F11w/4" TAPER TP FLIPPER COMPL



										THIRD ANGLE PROJECTION	FILENAME:	WOODBINE MFG. CO. BUS BROWN DRIVE WOODBINE, IOWA 51579														
											SYMBOLY PER ANSI Y14.5	NOTES:														
										<table border="1"> <thead> <tr> <th>DECIMAL</th> <th>2PLC</th> <th>3PLC</th> </tr> </thead> <tbody> <tr> <td>MACHINE SAW, DRILL</td> <td>.030</td> <td>.015</td> </tr> <tr> <td>SHEAR, PUNCH FORM</td> <td>.060</td> <td>.030</td> </tr> <tr> <td>TORCH, WELDING ROUGH CAST</td> <td>.090</td> <td>.060</td> </tr> </tbody> </table>	DECIMAL				2PLC	3PLC	MACHINE SAW, DRILL	.030	.015	SHEAR, PUNCH FORM	.060	.030	TORCH, WELDING ROUGH CAST	.090	.060	DRAWN BY.
DECIMAL	2PLC	3PLC																								
MACHINE SAW, DRILL	.030	.015																								
SHEAR, PUNCH FORM	.060	.030																								
TORCH, WELDING ROUGH CAST	.090	.060																								
					AAS	THE INFORMATION HERE IS CONFIDENTIAL AND MUST NOT BE USED IN ANYWAY DETRIMENTAL TO THE INTEREST OF WOODBINE MFG.																				
A	10/23/24	RELEASED TO PRODUCTION		AAS		3068				DRAWN/DATE	10/23/24	APPVD/DATE	TITLE													
										SALES CATEGORY	PRODUCT LINE	SCALE	FIN. WT.	PART NO.												
REV.	DATE	CHANGE RECORD		BY	APPVD	ECN	DRAFT	ANGULAR				N		18419												