

# Rear Camera and Sensor Bar Installation Instructions

2019-2024 Ram 1500/2500/3500 (Except 1500 Classic)  
2025-Present Ram 2500/3500

015683  
015795

Note: This solution is for specific factory installed rear cameras and sensors on model 60, G2 series liftgates for pickup body only. It does not support aftermarket products. For a list of available applications see the Tommy Gate Rear Camera and Sensor Bar Application Chart (DPN 095193).

Note: For vehicles manufactured after May 1, 2018 the image on the rear camera display screen must comply with the standard in National Highway Traffic Safety Administration rule number FMVSS 111.

**!Warning!** Relocating the factory installed rear camera may result in the display screen gridlines being inaccurate. Operate with caution and be sure to check surroundings before reversing the vehicle.

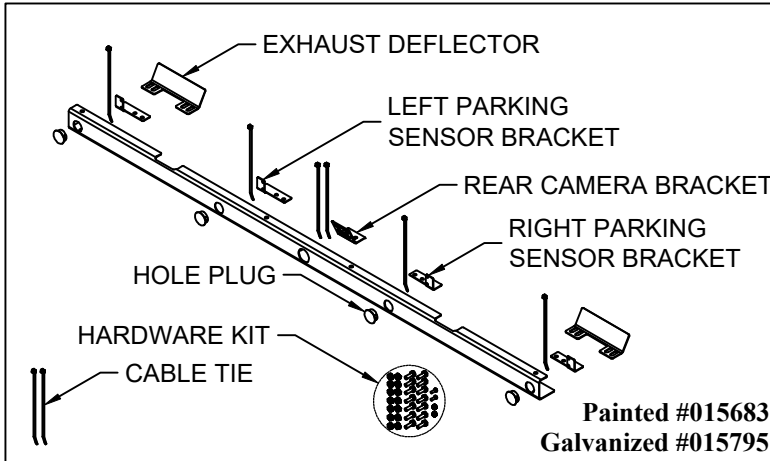
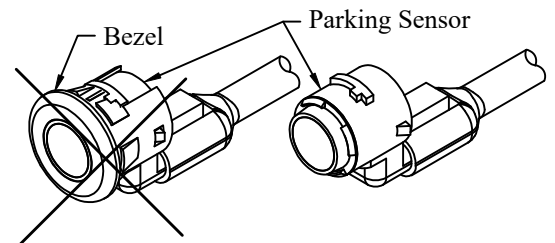


Table 1: Part List

QTY.	PART NO.	DESCRIPTION
1	15685	Rear Camera and Sensor Bar
1	15715	Rear Camera Bracket
2	18512	Left Parking Sensor Bracket
2	18513	Right Parking Sensor Bracket
2	15799	Exhaust Deflector
6	9077	Cable Tie
1	15529	Hardware Kit

## Removing Rear Camera and Sensors

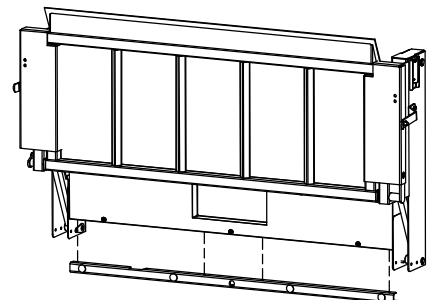
1. **Verify** rear camera and sensor bar kits (Figure 1 and Table 1).
2. **Verify** truck sensors. Trucks with outboard facing parking sensors (total of 6 sensors in the rear bumper) will need the side sensor kit 016845 (Painted) or 016846 (Galvanized), and prep work before installing the liftgate.
3. **Remove and Save** the rear camera and wire harness from the tailgate.
4. **Mark or Note** markings on rear bumper harness indicating outboard facing parking sensors, if applicable.
5. **Remove and Save** the parking sensors and wire harness from the bumper. Do not reuse the factory mounting bezel (Figure 2), doing so may position the sensors incorrectly.
6. **Tape Off** unused connectors on each harness.



## Drilling Mounting Holes in Older Liftgates

If mounting holes already exist in the mainframe, skip this section.

1. **Position** the rear camera and sensor bar underneath the liftgate mainframe (Figure 3).
2. **Mark** the location of the four mounting holes.
3. **Check** for obstructions in the mainframe before drilling holes.
4. **Drill** 1/4" holes in the mainframe of the liftgate where marked in step 2.



# Rear Camera and Sensor Bar Installation Instructions

## Installing the Rear Camera and Sensor Bar

1. **Install** the rear camera and sensor bar underneath the liftgate using 1/4" hex bolts and nuts from the hardware kit (Figure 3).

2. **Route** wire harnesses from the vehicle to below the liftgate mainframe.

3. **Determine** which camera came with the truck. (Figure 4).

- The violet style has a violet or pink body and is too large to fit the rear camera bracket with the knockout in place.
- The black style has a black body and will fit with almost no play when placed into the rear camera bracket as shown.
- Step 4 is for the violet style camera only. If the black style camera came with the truck, **Skip** step 4.

4. **Remove** the knockout from the rear camera bracket (Figure 4) and apply rust preventative to the broken tabs (violet camera only).

5. **Place** the rear camera into the rear camera bracket and **secure** it with cable ties (Figure 4).

6. **Determine** the parking sensor layout.

- 4 sensor harness: **Proceed** to the next step as normal.
- 6 sensor harness: **Plug** the outboard sensor holes (Figure 6) and perform the next steps on the inboard pair of sensors only. The remaining sensors are mounted to the side sensor kit.

7. **Position** parking sensors onto parking sensor brackets and **Secure** using cable ties (Figure 5).

8. **Install** the rear camera bracket and parking sensor brackets into rear camera and sensor bar using provided 1/4" hex bolts and nuts.

9. **Install** exhaust deflectors between the tailpipes and rear camera and sensor bar using provided 1/4" hex bolts and nuts (Figure 6).

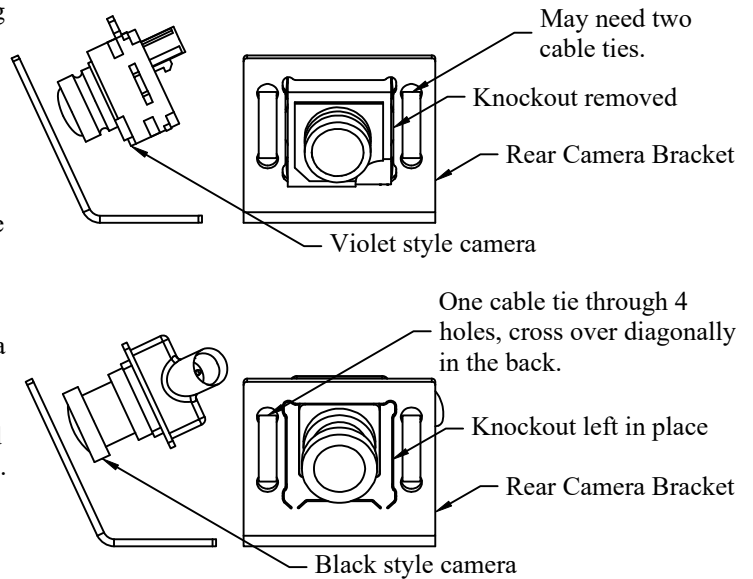
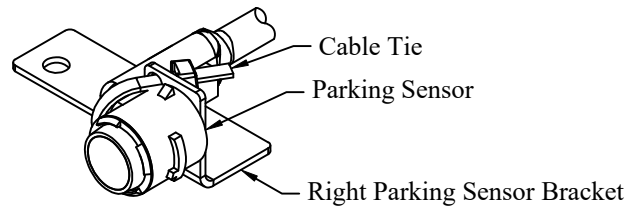


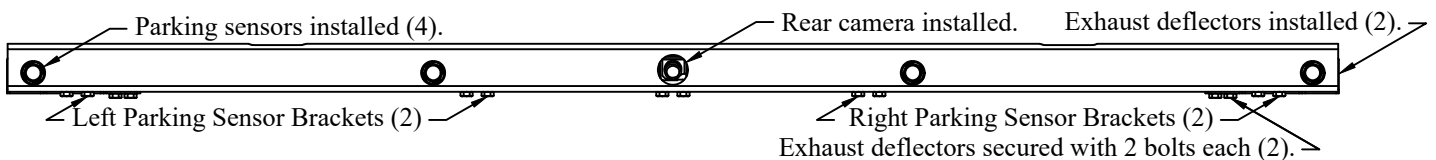
Figure 4: Two styles of rear camera and camera bracket.



Note: Right is shown, left is similar.

Figure 5: Parking sensor in right parking sensor bracket.

No side sensor kit:



Side sensor kit to be installed:

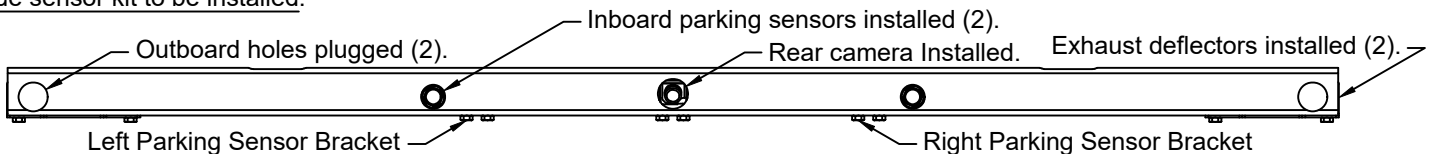


Figure 6: Assembled rear camera and sensor bar

## Finishing Steps

1. **Install** side sensor kit if applicable.

2. **Secure** wire harnesses using cable ties.

3. **Verify** completed upfit meets FMVSS 111 field of view requirements. **Shim** camera bracket to adjust camera angle if needed.