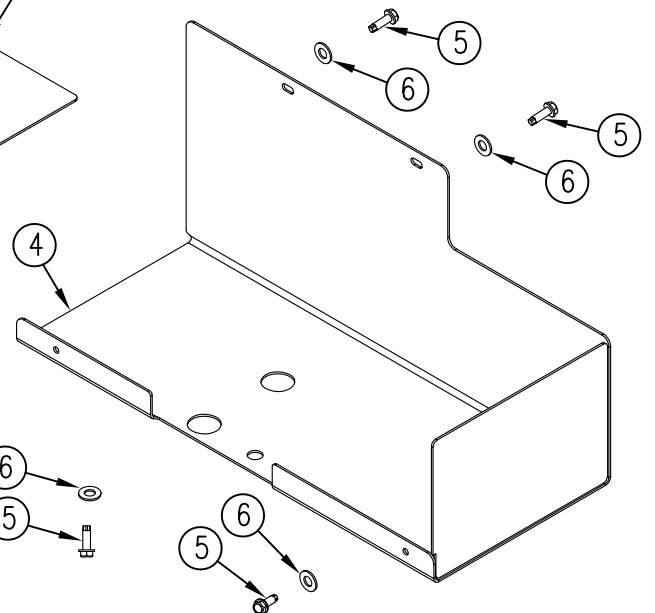


ITEM NO.	QTY.	PART NO.	DESCRIPTION
1	1	013835	PUMP BOX TOP WELDMENT (CANTILEVER) 18.79"
2	1	004678	3/4" TWO SCREW/STRAP TYPE CONNECTOR
3	1	010576	04MJIC-04MJIC BULKHEAD FITTING
4	1	013833	PUMP BOX BOTTOM WELDMENT (CANTILEVER) 18.69"
5	8	013980	1/4"-20x3/4" SS TY F HEX HD
6	8	000569	1/4" USS FLAT WASHER
7	4	011161	CIRCUIT BOARD SPACER/SUPPORT
8	2	000509	3/8-16x1"HHCS GR5
9	2	000572	3/8" SPRING LOCK WASHER
10	2	000550	3/8-16 HEX NUT GR5
11	1	013830	PUMP BOX TOP COVER (CANTILEVER)
12	2	011086	STRAIN RELIEF/HEYCO PN 1114
13	1	009556	BOX COVER DANGER DECAL
14	1	011840	STRAIN RELIEF/HEYCO PN 1237
15	1	015386	.25" THREE WAY TERMINAL SPLITTER
16	1	095113	CANTILEVER POWER UNIT REPLACEMENT INSTR.



REV.	DATE	CHANGE RECORD	BY	APPVD	ECN	DRAFT	ANGULAR	SALES CATEGORY	PRODUCT LINE	SCALE	FIN. WT.	PART NO.	
C	3/28/18	ADDED 015386	CDM		2019	2"	±1°						
B	8/10/15	REPLACE 747 WITH 13980	AAS		1463								
A	8/25/14	RELEASED TO PRODUCTION	JCB		1188								
						THIRD ANGLE PROJECTION	FILENAME:		WOODBINE MFG. CO. BUS BROWN DRIVE WOODBINE, IOWA 51579				
							SYMBOLY PER ANSI Y14.5		NOTES:				
						DECIMAL MACHINE SAW,DRILL	2PLC .030	3PLC .015	DRAWN BY: JCB				 THE INFORMATION HERE IS CONFIDENTIAL AND MUST NOT BE USED IN ANYWAY DETRIMENTAL TO THE INTEREST OF WOODBINE MFG.
						SHEAR, PUNCH FORM	.060	.030	DRAWN/DATE: 8/25/14				
						TORCH, WELDING ROUGH CAST	.090	.060	APPVD/DATE:		TITLE: REPLACEMENT CANTILEVER PUMP BOX (18.79")		
						DRAFT 2"	ANGULAR ±1°	SALES CATEGORY	PRODUCT LINE	SCALE 1:6	FIN. WT.	PART NO. 14106	