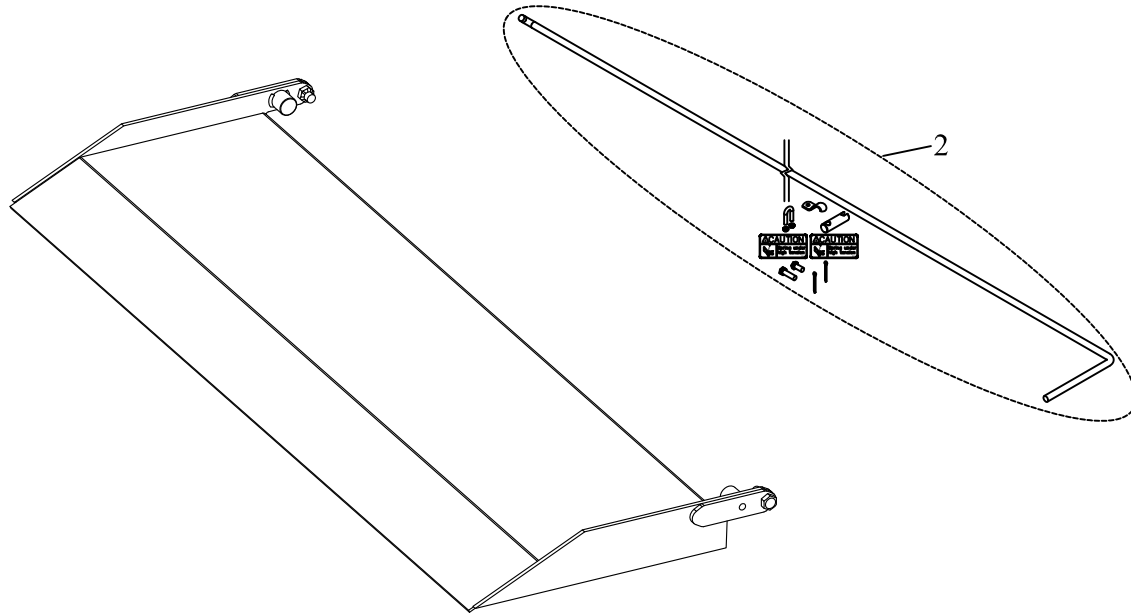


ITEM NO.	QTY.	PART NO.	DESCRIPTION
1	1	12694	G2 65-F11 w/4" TAPER TP FLIPPER
2	1	3691*	TORSION SPRING w/HARDWARE(64)



NOTE: "\*" INDICATES INDIVIDUAL PARTS ARE LISTED IN ACCOUNTING.

				THIRD ANGLE PROJECTION			FILENAME:		WOODBINE MFG. CO. BUS BROWN DRIVE WOODBINE, IOWA 51579					
							SYMBOLY PER ANSI Y14.5		NOTES:					
				DECIMAL	2PLC	3PLC	DRAWN BY.							
B.1	7/25/16	12694 SHOULD HAVE BEEN USE INSTEAD OF 1570	AAS	MACHINE SAW, DRILL	.030	.015	DJR		DRAWN/DATE		6/23/04		<small>THE INFORMATION HERE IS CONFIDENTIAL AND MUST NOT BE USED IN ANYWAY DETRIMENTAL TO THE INTEREST OF WOODBINE MFG.</small>	
B	2/22/16	1570 WAS 3530	AAS	1461	TORCH, WELDING ROUGH CAST	.090	.060	APPVD/DATE		TITLE				
REV.	DATE	CHANGE RECORD	BY	APPVD	ECN	DRAFT 2"	ANGULAR ±1"	SALES CATEGORY	PRODUCT LINE	SCALE 1:10	FIN. WT.	PART NO. 1681		