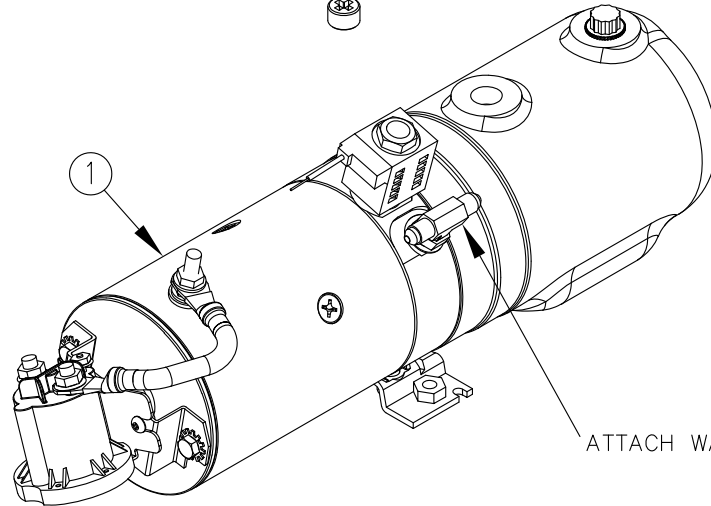
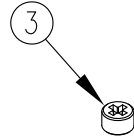
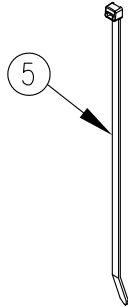
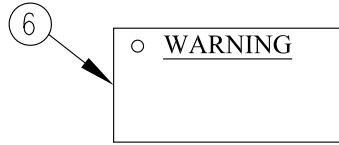


ITEM NO.	QTY.	PART NO.	DESCRIPTION
1	1	004457	MONARCH UNIT 319-0295 (2050) 1340 G2
2	0.335 GAL.	001092	TOMMY GATE WINTER GRADE OIL
3	1	004403*	VENT PLUG
4	1	009089	16-14 HEAT SHRINK BUTT CONNECTOR
5	1	009077	3/16"x7-1/2" CABLE TIE
6	1	014839	VENT PLUG WARNING TAG
7	1	095048	REPLACEMENT POWER UNIT INSTALLATION INSTR.

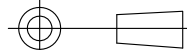
*ACCOUNTING-DO NOT USE FOR B.O.M.



ATTACH WARNING TAG TO TEE WITH CABLE TIE

REV.	DATE	CHANGE RECORD	BY	APPVD	ECN	DRAFT	ANGULAR	SALES CATEGORY	PRODUCT LINE	SCALE	FIN. WT.	PART NO.
A	10/4/24	RELEASED TO PRODUCTION	AAS		3061	2'	±1'			1:4	23.6	18390

THIRD ANGLE PROJECTION



DECIMAL	2PLC	3PLC
MACHINE SAW, DRILL	.030	.015
SHEAR, PUNCH FORM	.060	.030
TORCH, WELDING ROUGH CAST	.090	.060

FILENAME:

SYMBOLY PER ANSI Y14.5

DRAWN BY. AAS

DRAWN/DATE 10/4/24

APPVD/DATE

NOTES:

WOODBINE MFG. CO.
BUS BROWN DRIVE
WOODBINE, IOWA 51579



THE INFORMATION HERE IS CONFIDENTIAL AND MUST NOT BE USED IN ANYWAY DETRIMENTAL TO THE INTEREST OF WOODBINE MFG.

TITLE REPLACEMENT 1342 G2 PUMP & MOTOR UNIT W/WINTER GRADE OIL (2300PSI)