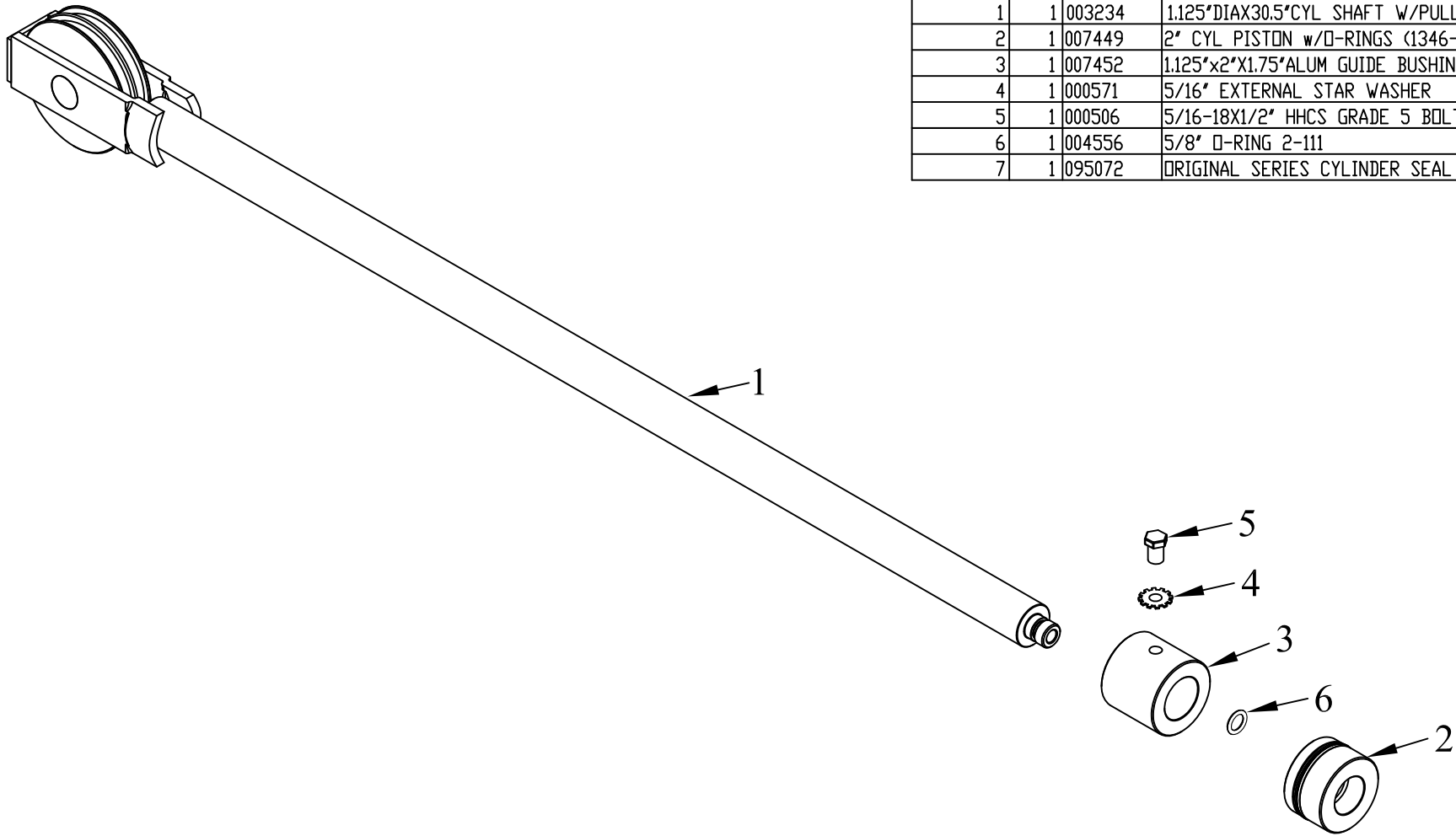


ITEM NO.	QTY.	PART NO.	DESCRIPTION
1	1	003234	1.125" DIA X 30.5" CYL SHAFT W/PULLEY (1650)
2	1	007449	2" CYL PISTON w/O-RINGS (1346-1650)
3	1	007452	1.125"x2"x1.75" ALUM GUIDE BUSHING
4	1	000571	5/16" EXTERNAL STAR WASHER
5	1	000506	5/16-18X1/2" HHCS GRADE 5 BOLT
6	1	004556	5/8" O-RING 2-111
7	1	095072	ORIGINAL SERIES CYLINDER SEAL REPLACEMENT INSTR.



				THIRD ANGLE PROJECTION			FILENAME:		WOODBINE MFG. CO.															
							SYMBOLY PER ANSI Y14.5		BUS BROWN DRIVE															
				<table border="1"> <tr> <th>DECIMAL</th> <th>2PLC</th> <th>3PLC</th> </tr> <tr> <td>MACHINE SAW, DRILL</td> <td>.030</td> <td>.015</td> </tr> <tr> <td>SHEAR, PUNCH FORM</td> <td>.060</td> <td>.030</td> </tr> <tr> <td>TORCH, WELDING ROUGH CAST</td> <td>.090</td> <td>.060</td> </tr> </table>			DECIMAL	2PLC	3PLC	MACHINE SAW, DRILL	.030	.015	SHEAR, PUNCH FORM	.060	.030	TORCH, WELDING ROUGH CAST	.090	.060	DRAWN BY. DJR		NOTES:		WOODBINE, IOWA 51579	
DECIMAL	2PLC	3PLC																						
MACHINE SAW, DRILL	.030	.015																						
SHEAR, PUNCH FORM	.060	.030																						
TORCH, WELDING ROUGH CAST	.090	.060																						
							DRAWN/DATE 12/16/03		712-647-2050															
							APPVD/DATE																	
B	1/12/11	ADDED (1) 4556 AND (1) 95072; REPLACED 1141 WITH INDIVIDUAL PARTS		JCB		400	TITLE CYLINDER SHAFT w/PULLEY ASSEMBLY(1648-1650)		<small>THE INFORMATION HERE IS CONFIDENTIAL AND MUST NOT BE USED IN ANYWAY DETRIMENTAL TO THE INTEREST OF WOODBINE MFG.</small>															
REV.	DATE	CHANGE RECORD		BY	APPVD	ECN	DRAFT 2*	ANGULAR ±1*	SALES CATEGORY	PRODUCT LINE	SCALE N	FIN. WT.	PART NO. 3226											