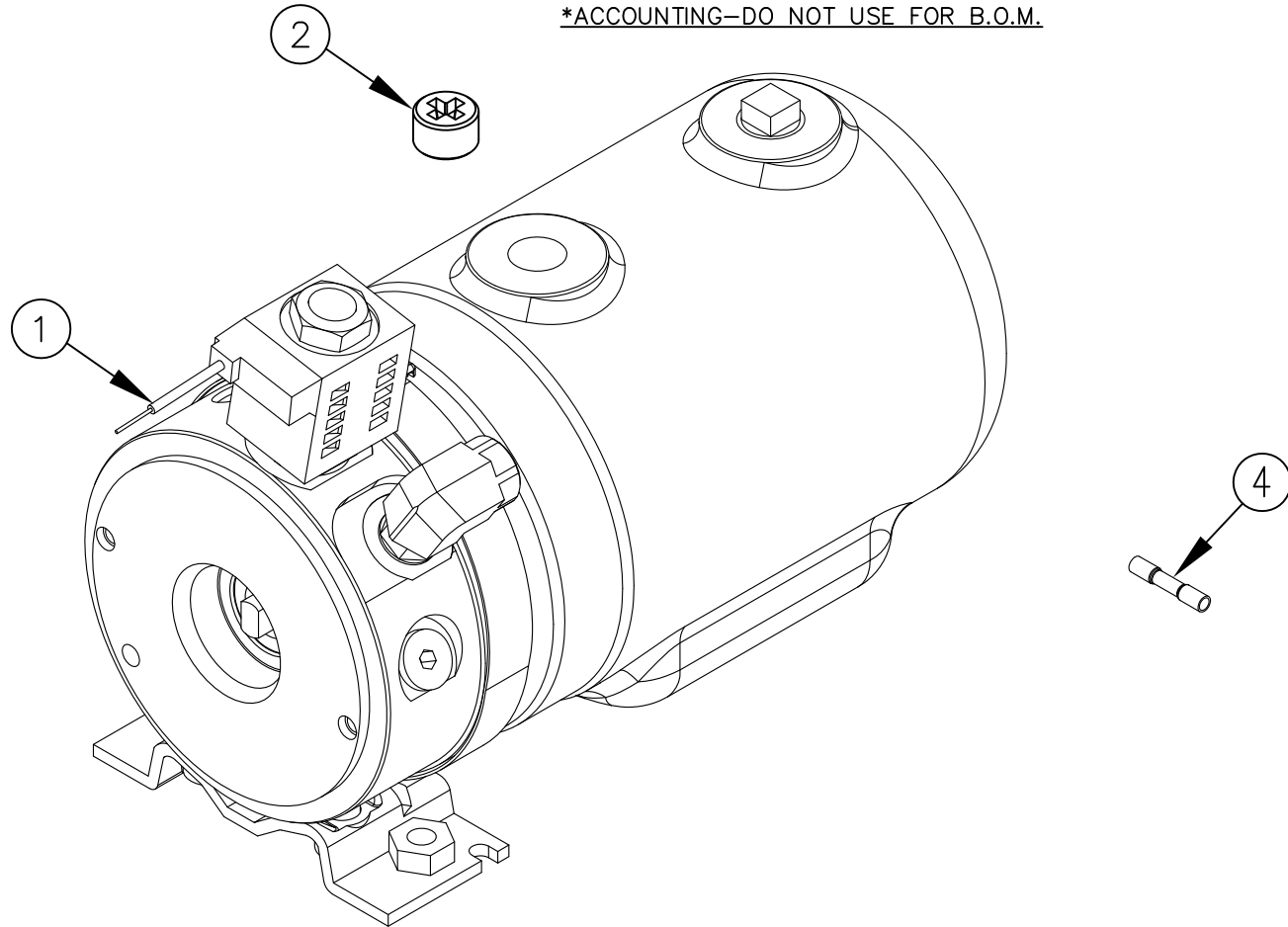


ITEM NO.	QTY.	PART NO.	DESCRIPTION
1	1	010382	MONARCH PUMP AND 1.5QT CABLE TANK (FOR REPAIR)
2	1	004403*	VENT PLUG
3	0.335 GAL.	009034	HYDRAULIC OIL
4	1	009089	16-14 HEAT SHRINK BUTT CONNECTOR

*ACCOUNTING-DO NOT USE FOR B.O.M.



REV.	DATE	CHANGE RECORD	BY	APPVD	ECN	DRAFT	ANGULAR	SALES CATEGORY	PRODUCT LINE	SCALE	FIN. WT.	PART NO.
B	11/18/10	REPLACED 4298, 4304, AND 4350 WITH 10382; ADDED (1) 9089	JCB		370	2'	±1°			1:2		4278
A	10/20/09	REPLACED PN 4318 W/ PN 4304	LSB	LSB	212							
						THIRD ANGLE PROJECTION	FILENAME:		NOTES:			
							SYMBOLY PER ANSI Y14.5					
						DECIMAL	2PLC	3PLC	THE INFORMATION HERE IS CONFIDENTIAL AND MUST NOT BE USED IN ANYWAY DETRIMENTAL TO THE INTEREST OF WOODBINE MFG.			
						MACHINE SAW, DRILL	.030	.015				
						SHEAR, PUNCH FORM	.060	.030				
						TORCH, WELDING ROUGH CAST	.090	.060				
						DRAWN BY.	DRAWN/DATE		WOODBINE MFG. CO. BUS BROWN DRIVE WOODBINE, IOWA 51579 712-647-2050 			
						DJR	8/18/04					
						APPVD/DATE	TITLE		M319 PUMP (ONLY) W/ 1.5QT TANK (3400 PSI)**1340			