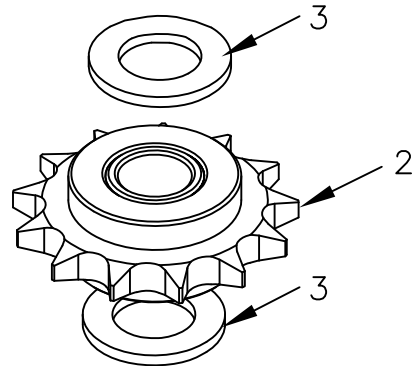
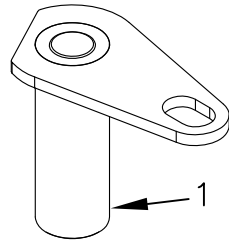
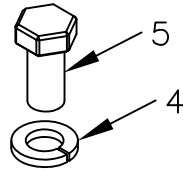
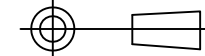


ITEM NO.	QTY.	PART NO.	DESCRIPTION
1	1	002298	SPROCKET PIN WELDMENT (ALUMINUM)
2	1	007650	#50C13-1" SPROCKET WITH BUSHING
3	2	000622	3/4"IDx1-1/4"OD FLATWASHER(650)*ZP*
4	1	000572	3/8" SPRING LOCK WASHER
5	1	000507	3/8-16x1/2"HHCS GR5
6	1	095116	RAIL 13-TOOTH SPROCKET REPLACEMENT INSTRUCTIONS (16/20)



REV.	DATE	CHANGE RECORD	BY	APPVD	ECN	DRAFT 2*	ANGULAR ±1*	SALES CATEGORY	PRODUCT LINE	SCALE	FIN. WT.	PART NO.
B	6/10/13	ADDED 95116	JCB		924							
A	3/15/07	REDESIGNED PIN & KEEPER, UPDATED BOM	JCB	KGJ								
												4191

THIRD ANGLE PROJECTION



DECIMAL 2PLC 3PLC

MACHINE SAW, DRILL .030 .015

SHEAR, PUNCH FORM .060 .030

TORCH, WELDING ROUGH CAST .090 .060

FILENAME:

SYMBOLGY PER ANSI Y14.5

DRAWN BY. DJR

DRAWN/DATE 12/01/04

APPVD/DATE

WOODBINE MFG. CO.
BUS BROWN DRIVE
WOODBINE, IOWA 51579
712-647-2050



THE INFORMATION HERE IS CONFIDENTIAL AND MUST NOT BE USED IN ANYWAY DETRIMENTAL TO THE INTEREST OF WOODBINE MFG.

NOTES:

TITLE 13 TOOTH REPAIR SPROCKET (ALUM RAIL)