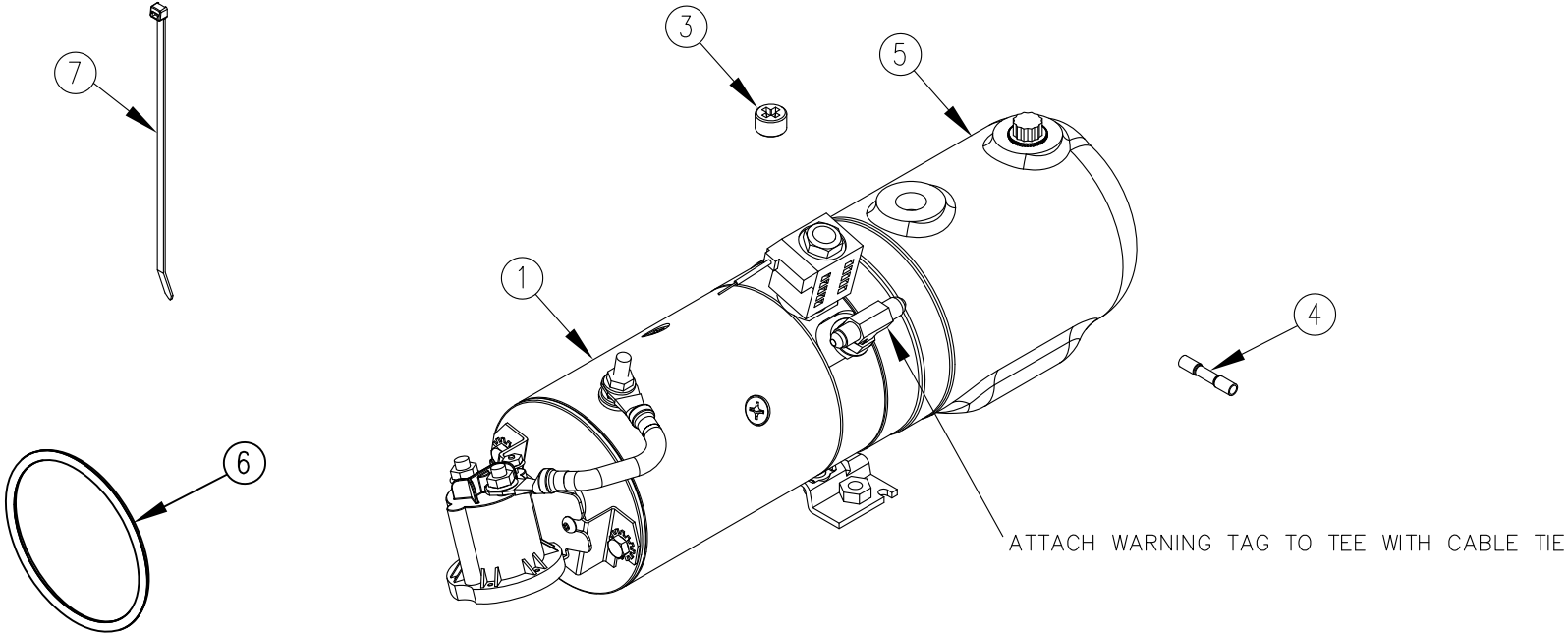


ITEM NO.	QTY.	PART NO.	DESCRIPTION
1	1	10165	MONARCH UNIT 319-0520 (2500) 24V 1650 G2
2	0.335 GAL.	9034	HYDRAULIC OIL
3	1	4403*	VENT PLUG
4	1	9089	16-14 HEAT SHRINK BUTT CONNECTOR
5	1	4304**	MONARCH PLASTIC TANK (1-1/2QT)
6	1	4319	MONARCH 4-1/4" TANK O-RING
7	1	9077	3/16"x7-1/2" CABLE TIE
8	1	14839	VENT PLUG WARNING TAG
9	1	95048	REPLACEMENT POWER UNIT INSTALLATION INSTR.

*ACCOUNTING-DO NOT USE FOR B.O.M.

**PN004331 3QT TANK WILL GO TO STOCK AND BE REPLACED ON THIS UNIT BY TANK LISTED

8 o WARNING



						THIRD ANGLE PROJECTION	FILENAME:	WOODBINE MFG. CO. BUS BROWN DRIVE WOODBINE, IOWA 51579				
							SYMBOLY PER ANSI Y14.5	NOTES:				
						DECIMAL	2PLC		3PLC			
						MACHINE SAW, DRILL	.030		.015			
						SHEAR, PUNCH FORM	.060	.030				
						TORCH, WELDING ROUGH CAST	.090	.060				
A	10/17/24	RELEASED TO PRODUCTION	AAS		3061	DRAFT 2'	ANGULAR ±1'	SALES CATEGORY	PRODUCT LINE	SCALE 1:4	FIN. WT.	PART NO. 18415
REV.	DATE	CHANGE RECORD	BY	APPVD	ECN							

THE INFORMATION HERE IS CONFIDENTIAL AND MUST NOT BE USED IN ANYWAY DETRIMENTAL TO THE INTEREST OF WOODBINE MFG.

