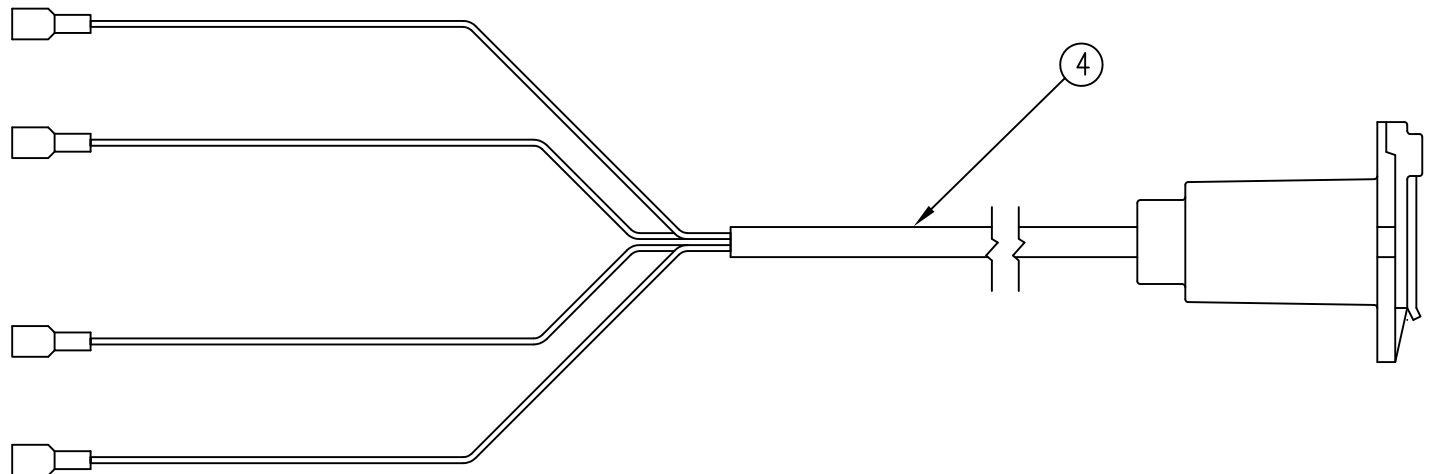
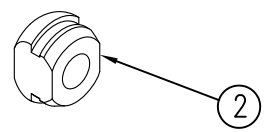
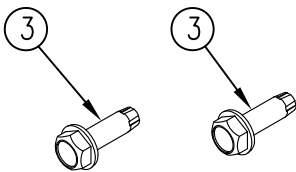
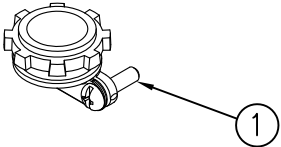

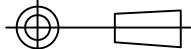


ITEM NO.	QTY.	PART NO.	DESCRIPTION
1	1	007752	3/8" 2-SCREW ROMEX. CONN.
2	1	011840	STRAIN RELIEF #1237(CANTILEVER)
3	2	013980	1/4-20x3/4" SS TY F HEX HD
4	1	011839	PENDANT SUPPLY CORD



REV.	DATE	CHANGE RECORD	BY	APPVD	ECN	DRAFT	ANGULAR	SALES CATEGORY	PRODUCT LINE	SCALE	FIN. WT.	PART NO.		
D	7/8/21	013980 WAS 000747	AAS		2645	2"	±1°			1:2		11278		
C	7/28/15	REMOVED 11980 & 10655; ADDED 7752	JCB		1450									
B	3/9/12	11839 WAS 10825, ADDED 11980, (4) 10655, & 11840	LSB		544									
A	7/29/11	RELEASED TO PRODUCTION	JCB		450									
						THIRD ANGLE PROJECTION		FILENAME:		WOODBINE MFG. CO. BUS BROWN DRIVE WOODBINE, IOWA 51579  THE INFORMATION HERE IS CONFIDENTIAL AND MUST NOT BE USED IN ANYWAY DETRIMENTAL TO THE INTEREST OF WOODBINE MFG.				
								SYMBOLY PER ANSI Y14.5					NOTES:	
						DECIMAL    2PLC    3PLC MACHINE SAW, DRILL    .030    .015		DRAWN BY: JCB						
						SHEAR, PUNCH FORM    .060    .030		DRAWN/DATE: 7/29/11						
						TORCH, WELDING ROUGH CAST    .090    .060		APPVD/DATE					TITLE: REPLACEMENT PENDANT SUPPLY CABLE (CANTILEVER)	