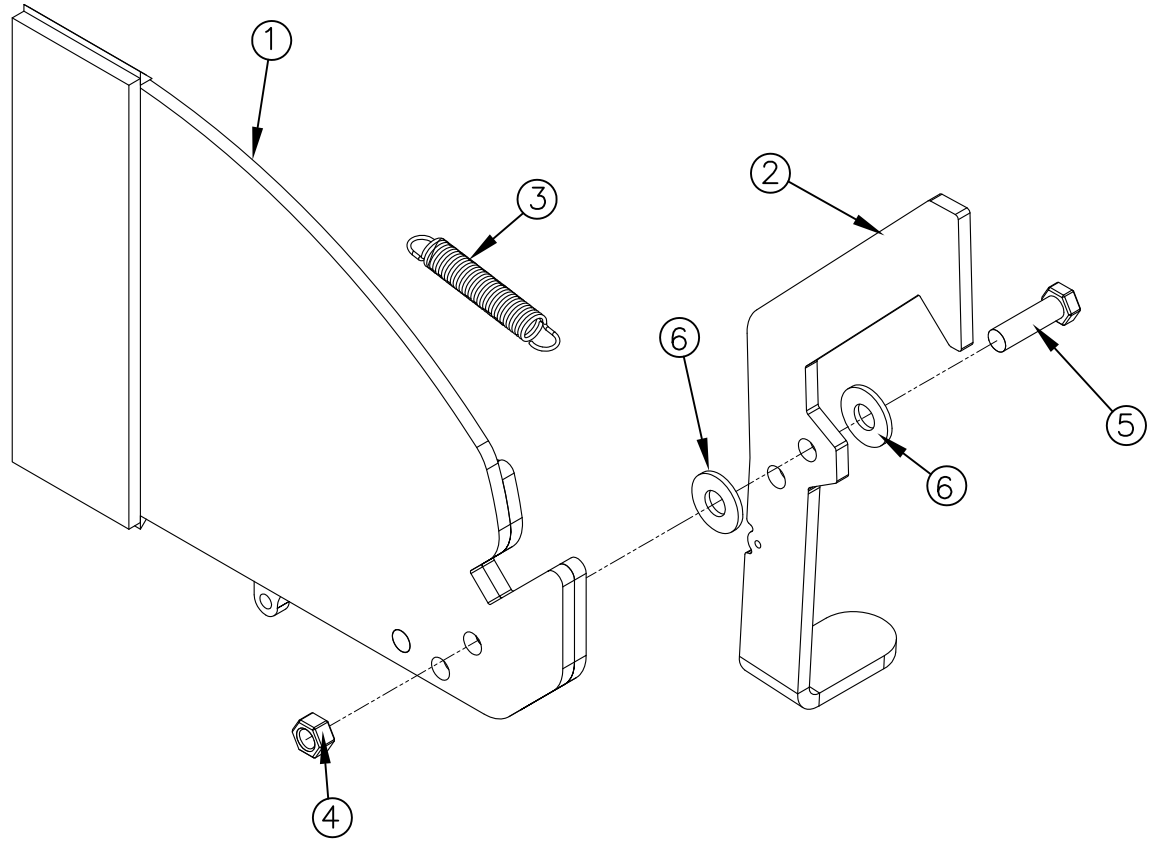


ITEM NO.	QTY.	PART NO.	DESCRIPTION
1	1	002881	LATCH PLATE WELDMENT-STEEL RIGHT RF
2	1	002617	.25" RAIL LATCH HDL
3	1	007680	RAIL LATCH SPRING-STAINLESS STEEL
4	1	000597	3/8-16 2 WAY LOCK NUT
5	1	000535	3/8-16x1-1/2" HHCS GR5
6	2	000575	3/8 USS FLAT WASHER



					THIRD ANGLE PROJECTION		FILENAME:		WOODBINE MFG. CO. BUS BROWN DRIVE WOODBINE, IOWA 51579																																			
							SYMBOLY PER ANSI Y14.5				NOTES:																																	
					<table border="1"> <tr> <td>DECIMAL</td> <td>2PLC</td> <td>3PLC</td> </tr> <tr> <td>MACHINE SAW, DRILL</td> <td>.030</td> <td>.015</td> </tr> <tr> <td>SHEAR, PUNCH FORM</td> <td>.060</td> <td>.030</td> </tr> <tr> <td>TORCH, WELDING ROUGH CAST</td> <td>.090</td> <td>.060</td> </tr> </table>		DECIMAL	2PLC	3PLC	MACHINE SAW, DRILL			.030	.015	SHEAR, PUNCH FORM	.060	.030	TORCH, WELDING ROUGH CAST	.090	.060	DRAWN BY. JCB		<table border="1"> <tr> <td colspan="2">DRAWN/DATE</td> </tr> <tr> <td colspan="2">9/23/08</td> </tr> <tr> <td colspan="2">APPVD/DATE</td> </tr> <tr> <td colspan="2">3/10/09</td> </tr> </table>		DRAWN/DATE		9/23/08		APPVD/DATE		3/10/09		<table border="1"> <tr> <td colspan="2">TITLE</td> </tr> <tr> <td colspan="2">REPLACEMENT STEEL R-FOLD LATCH PLATE-RIGHT</td> </tr> </table>		TITLE		REPLACEMENT STEEL R-FOLD LATCH PLATE-RIGHT		<table border="1"> <tr> <td colspan="2">712-647-2050</td> <td colspan="2" rowspan="2"> </td> </tr> <tr> <td colspan="2"> <small>THE INFORMATION HERE IS CONFIDENTIAL AND MUST NOT BE USED IN ANYWAY DETRIMENTAL TO THE INTEREST OF WOODBINE MFG.</small> </td> </tr> </table>		712-647-2050			
DECIMAL	2PLC	3PLC																																										
MACHINE SAW, DRILL	.030	.015																																										
SHEAR, PUNCH FORM	.060	.030																																										
TORCH, WELDING ROUGH CAST	.090	.060																																										
DRAWN/DATE																																												
9/23/08																																												
APPVD/DATE																																												
3/10/09																																												
TITLE																																												
REPLACEMENT STEEL R-FOLD LATCH PLATE-RIGHT																																												
712-647-2050																																												
<small>THE INFORMATION HERE IS CONFIDENTIAL AND MUST NOT BE USED IN ANYWAY DETRIMENTAL TO THE INTEREST OF WOODBINE MFG.</small>																																												
B	3/10/09	UPDATED FOR PN 2881; REPLACED (1) PN 510 WITH (1) PN 535	JCB	JCB																																								
REV.	DATE	CHANGE RECORD	BY	APPVD	ECN	DRAFT 2'	ANGULAR ±1'	SALES CATEGORY 45	PRODUCT LINE 8950	SCALE 1:3	FIN. WT. 9.03	PART NO. 2867																																