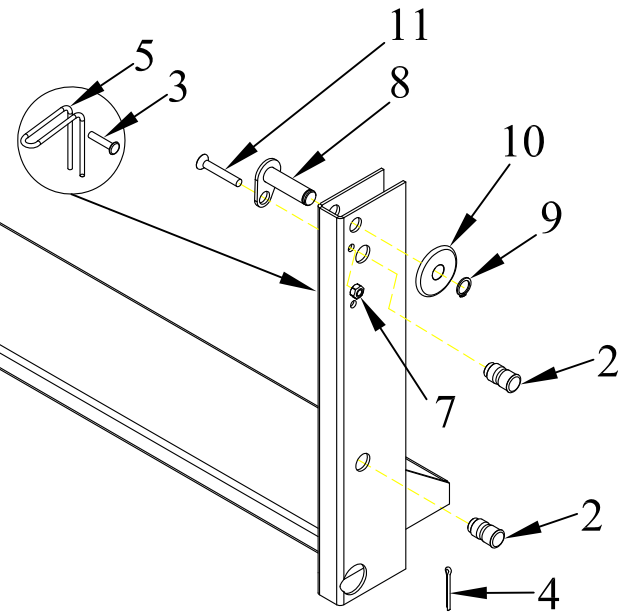


ITEM NO.	QTY.	PART NO.	DESCRIPTION
1	1	003280	64 SUB ASSEMBLY WELDMNT
2	4	007542	3/4"x1-1/2" ARM PIN
3	2	007544	5/16"x1/1/2" F.H.RIVET
4	2	004720	1/4"x2" COTTER PIN
5	2	003820	KICKER SPRING
6	1	004726	5/16" U-BOLT
7	4	000606	5/16-18 USS CROWN LOCK NUT
8	2	010340	DROP PIN ASSEMBLY
9	2	000615	5/8" EXTERNAL RETAINING RING-PLATED
10	2	010337	DROP CHAIN MACHINED WASHER
11	2	010467	5/16-18 X 2" FLHD SHCS - ZINC
12	1	095079	SUB-ASSEMBLY REPLACEMENT- ORIGINAL SERIES (W/ HINGE TUBE)



				THIRD ANGLE PROJECTION			FILENAME:		WOODBINE MFG. CO.															
							SYMBOLY PER ANSI Y14.5		BUS BROWN DRIVE															
				<table border="1"> <tr> <th>DECIMAL</th> <th>2PLC</th> <th>3PLC</th> </tr> <tr> <td>MACHINE SAW, DRILL</td> <td>.030</td> <td>.015</td> </tr> <tr> <td>SHEAR, PUNCH FORM</td> <td>.060</td> <td>.030</td> </tr> <tr> <td>TORCH, WELDING ROUGH CAST</td> <td>.090</td> <td>.060</td> </tr> </table>			DECIMAL	2PLC	3PLC	MACHINE SAW, DRILL	.030	.015	SHEAR, PUNCH FORM	.060	.030	TORCH, WELDING ROUGH CAST	.090	.060	DRAWN BY. DJR		NOTES:		WOODBINE, IOWA 51579	
DECIMAL	2PLC	3PLC																						
MACHINE SAW, DRILL	.030	.015																						
SHEAR, PUNCH FORM	.060	.030																						
TORCH, WELDING ROUGH CAST	.090	.060																						
				DRAWN/DATE 6/02/04		712-647-2050																		
C	3/2/11	REPLACED 95042 WITH 95079		JCB	415			<small>THE INFORMATION HERE IS CONFIDENTIAL AND MUST NOT BE USED IN ANYWAY DETRIMENTAL TO THE INTEREST OF WOODBINE MFG.</small>																
B	2/24/10	REMOVED PN4769 AND 3818; ADDED PN10340, 615, 10337, 10467, 7544, 3820, AND (2) TWO MORE 606		MTC	270			TITLE 64 REPLACEMENT SUB ASSEMBLY																
REV.	DATE	CHANGE RECORD		BY	APPVD	ECN	DRAFT 2'	ANGULAR ±1'	SCALE N	FIN. WT.	PART NO. 3558													