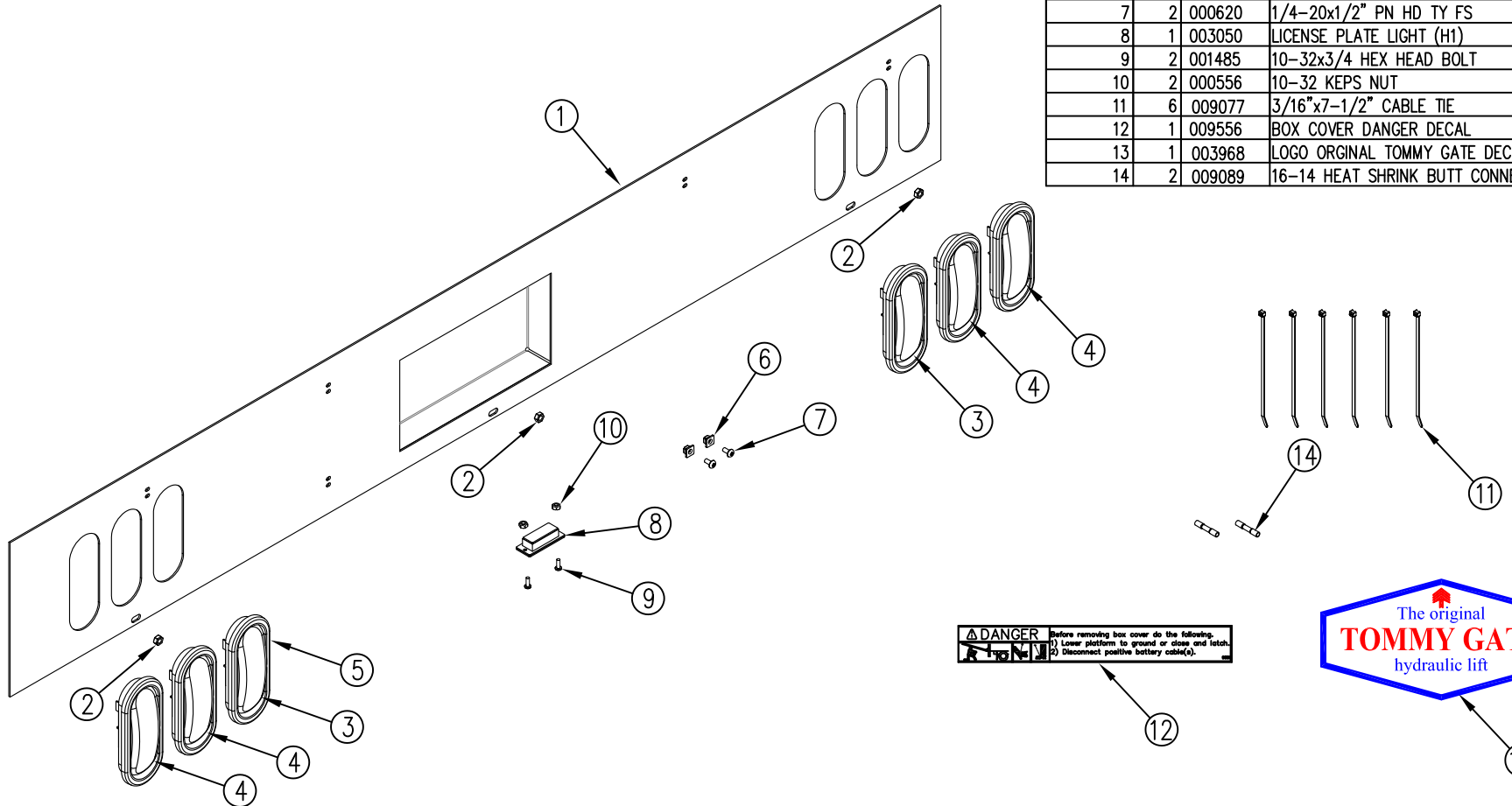



ITEM NO.	QTY.	PART NO.	DESCRIPTION
1	1	014409	BOX COVER WELDMENT (25/30) 89 (BF)
2	3	000631	5/16-18 SERRATED FLANGENUT (WHIZLOCK)
3	2	004042	RECESSED OVAL CLEAR LIGHT ONLY-ECONO 60 (12VDC)
4	4	004043	RECESSED OVAL RED LIGHT ONLY-ECONO 60 (12VDC)
5	6	004041	BLACK GROMMET - ECONO 60
6	2	000628	LICENSE PLATE NUT
7	2	000620	1/4-20x1/2" PN HD TY FS
8	1	003050	LICENSE PLATE LIGHT (H1)
9	2	001485	10-32x3/4 HEX HEAD BOLT
10	2	000556	10-32 KEPS NUT
11	6	009077	3/16"x7-1/2" CABLE TIE
12	1	009556	BOX COVER DANGER DECAL
13	1	003968	LOGO ORIGINAL TOMMY GATE DECAL
14	2	009089	16-14 HEAT SHRINK BUTT CONNECTOR



⚠ DANGER Before removing box cover do the following:
 1) Lower platform to ground or close and latch.
 2) Disconnect positive battery cable(s).



REV.	DATE	CHANGE RECORD	BY	APPVD	ECN	DRAFT	ANGULAR	SCALE	FIN. WT.	PART NO.	
B	5/10/23	ADDED (2) 009089	AAS		2866	2'	±1'	NTS		14856	
A	9/27/16	RELEASED TO PRODUCTION	MTC		1593						
						THIRD ANGLE PROJECTION		SYMBOLY PER ANSI Y14.5		NOTES:	
						DECIMAL 2PLC 3PLC		DRAWN BY:		WOODBINE MFG. CO. BUS BROWN DRIVE WOODBINE, IOWA 51579  THE INFORMATION HERE IS CONFIDENTIAL AND MUST NOT BE USED IN ANYWAY DETRIMENTAL TO THE INTEREST OF WOODBINE MFG.	
						MACHINE SAW, DRILL		MTC			
						SHEAR, PUNCH FORM		DRAWN/DATE			
						TORCH, WELDING ROUGH CAST		9/27/16		TITLE	
										REPLACEMENT STEEL BOX COVER W/LIGHTS (25/30) 89 (BF)	