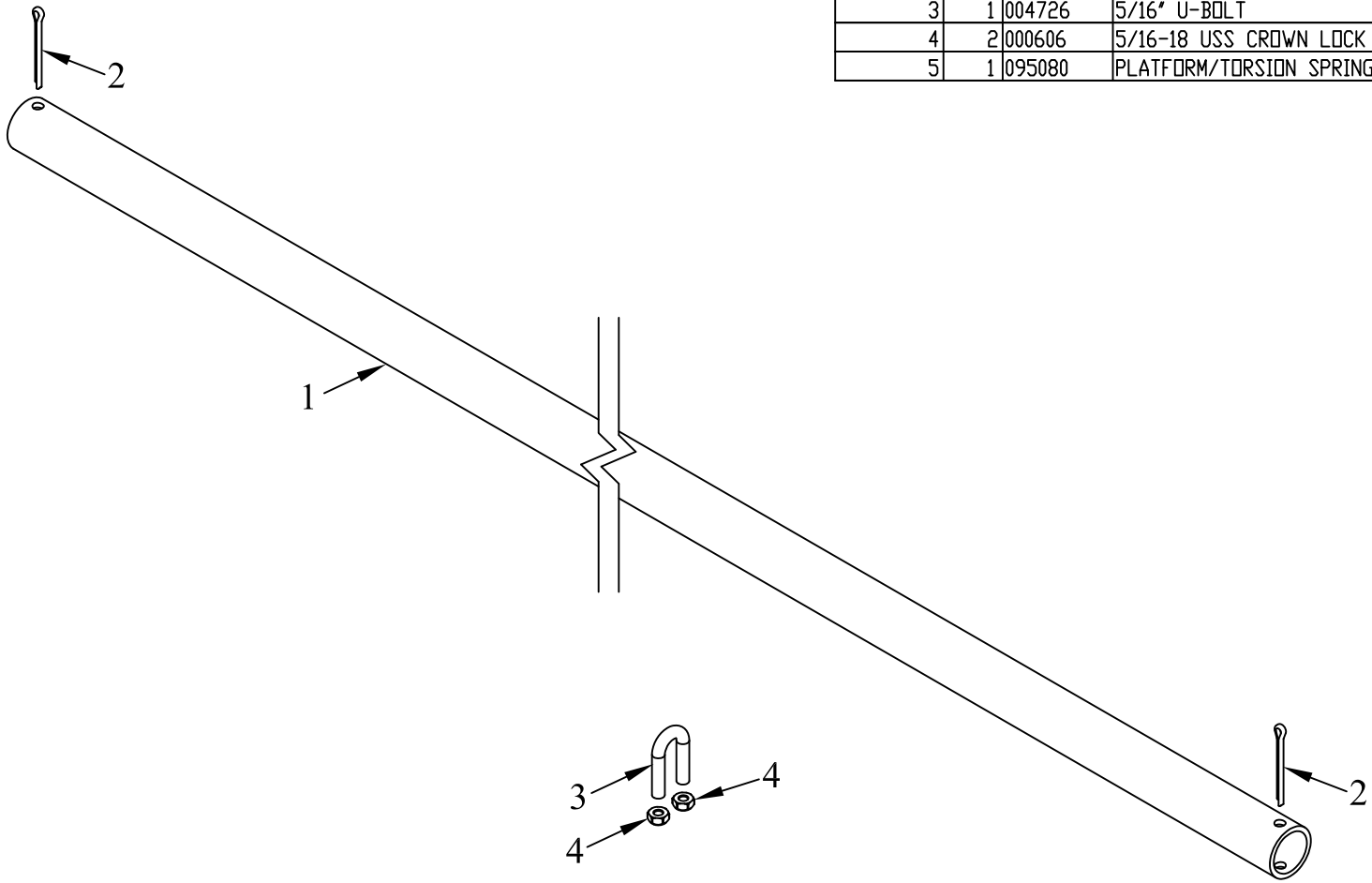


| ITEM NO. | QTY. | PART NO. | DESCRIPTION                                    |
|----------|------|----------|--|
| 1        | 1    | 010331   | 1.25" OD PUNCHED INNER HINGETUBE (60)          |
| 2        | 2    | 004720   | 1/4"x2" COTTER PIN                             |
| 3        | 1    | 004726   | 5/16" U-BOLT                                   |
| 4        | 2    | 000606   | 5/16-18 USS CROWN LOCK NUT                     |
| 5        | 1    | 095080   | PLATFORM/TORSION SPRING (W/ HINGE TUBE) INSTR. |



|                           |         |                                    |  |  | THIRD ANGLE PROJECTION   |       |     | FILENAME:   |                | WOODBINE MFG. CO.<br>BUS BROWN DRIVE<br>WOODBINE, IOWA 51579  |                    |              |          |                   |      |      |                           |      |      |                  |  |  |  |
|---------------------------|---------|------------------------------------|--|--|--|-------|-----|---|----------------|---|--------------------|--------------|----------|-------------------|------|------|---------------------------|------|------|------------------|--|--|--|
|                           |         |                                    |  |  |  |       |     | SYMBOLY PER ANSI Y14.5                                      |                | NOTES:  |                    |              |          |                   |      |      |                           |      |      |                  |  |  |  |
|                           |         |                                    |  |  | <table border="1"> <tr> <th>DECIMAL</th> <th>2PLC</th> <th>3PLC</th> </tr> <tr> <td>MACHINE SAW, DRILL</td> <td>.030</td> <td>.015</td> </tr> <tr> <td>SHEAR, PUNCH FORM</td> <td>.060</td> <td>.030</td> </tr> <tr> <td>TORCH, WELDING ROUGH CAST</td> <td>.090</td> <td>.060</td> </tr> </table> |       |     | DECIMAL   | 2PLC           | 3PLC  | MACHINE SAW, DRILL | .030         | .015     | SHEAR, PUNCH FORM | .060 | .030 | TORCH, WELDING ROUGH CAST | .090 | .060 | DRAWN BY.<br>DJR |  |  |  |
| DECIMAL                   | 2PLC    | 3PLC                               |  |  |  |       |     |   |                |   |                    |              |          |                   |      |      |                           |      |      |                  |  |  |  |
| MACHINE SAW, DRILL        | .030    | .015                               |  |  |  |       |     |   |                |   |                    |              |          |                   |      |      |                           |      |      |                  |  |  |  |
| SHEAR, PUNCH FORM         | .060    | .030                               |  |  |  |       |     |   |                |   |                    |              |          |                   |      |      |                           |      |      |                  |  |  |  |
| TORCH, WELDING ROUGH CAST | .090    | .060                               |  |  |  |       |     |   |                |   |                    |              |          |                   |      |      |                           |      |      |                  |  |  |  |
|                           |         |                                    |  |  |  |       |     | DRAWN/DATE<br>5/21/04                                       |                | 712-647-2050  |                    |              |          |                   |      |      |                           |      |      |                  |  |  |  |
|                           |         |                                    |  |  |  |       |     | APPVD/DATE  |                | <small>THE INFORMATION HERE IS CONFIDENTIAL AND MUST NOT BE USED IN ANYWAY DETRIMENTAL TO THE INTEREST OF WOODBINE MFG.</small> |                    |              |          |                   |      |      |                           |      |      |                  |  |  |  |
| B                         | 6/25/13 | CHANGED 6402 TO 10331; ADDED 95080 |  |  | JCB  |       | 918 | TITLE<br>60 & TOYOTA REPLACEMENT HINGE TUBE- STEEL PLATFORM |                |   |                    |              |          |                   |      |      |                           |      |      |                  |  |  |  |
| REV.                      | DATE    | CHANGE RECORD                      |  |  | BY   | APPVD | ECN | DRAFT<br>2"   | ANGULAR<br>±1° | SALES CATEGORY  | PRODUCT LINE       | SCALE<br>1:4 | FIN. WT. | PART NO.<br>6427  |      |      |                           |      |      |                  |  |  |  |