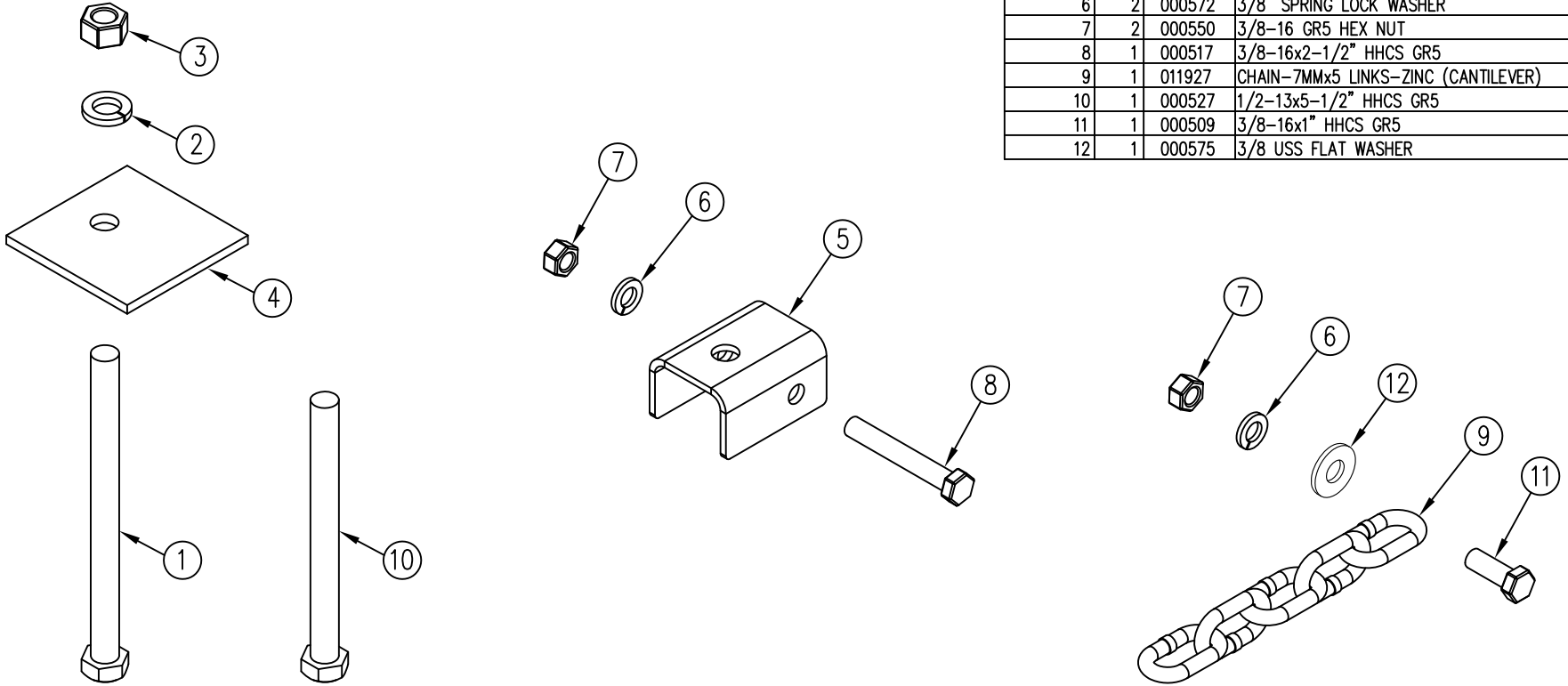


ITEM NO.	QTY.	PART NO.	DESCRIPTION
1	1	010490	1/2-13x6-1/2" HHCS GR5
2	1	000573	1/2" SPRING LOCK WASHER
3	1	000551	1/2-13 GR5 HEX NUT (ZINC)
4	1	010324	0.19"x3"x3" PLATE(CANTILEVER)
5	1	011928	EMERGENCY CHAIN UP CHANNEL (CANTILEVER)
6	2	000572	3/8" SPRING LOCK WASHER
7	2	000550	3/8-16 GR5 HEX NUT
8	1	000517	3/8-16x2-1/2" HHCS GR5
9	1	011927	CHAIN-7MMx5 LINKS-ZINC (CANTILEVER)
10	1	000527	1/2-13x5-1/2" HHCS GR5
11	1	000509	3/8-16x1" HHCS GR5
12	1	000575	3/8 USS FLAT WASHER



REV.	DATE	CHANGE RECORD	BY	APPVD	ECN	DRAFT	ANGULAR	SALES CATEGORY	PRODUCT LINE	SCALE	FIN. WT.	PART NO.	
B	3/17/23	ADDED (1) 527, (1) 509, (1) 572, (1) 550, (1) 575	JCB		2716	2"	±1°			1:3		14436	
A	6/2/15	RELEASED TO PRODUCTION	JCB		1406								
						THIRD ANGLE PROJECTION	FILENAME:		WOODBINE MFG. CO. BUS BROWN DRIVE WOODBINE, IOWA 51579				
							SYMBOLY PER ANSI Y14.5		NOTES:				
						DECIMAL MACHINE SAW,DRILL	2PLC .030	3PLC .015	DRAWN BY. JCB				 <small>THE INFORMATION HERE IS CONFIDENTIAL AND MUST NOT BE USED IN ANYWAY DETRIMENTAL TO THE INTEREST OF WOODBINE MFG.</small>
						SHEAR, PUNCH FORM	.060	.030	DRAWN/DATE 6/2/15				
						TORCH, WELDING ROUGH CAST	.090	.060	APPVD/DATE		TITLE CANTILEVER REPLACEMENT CHAIN-UP FEATURE		