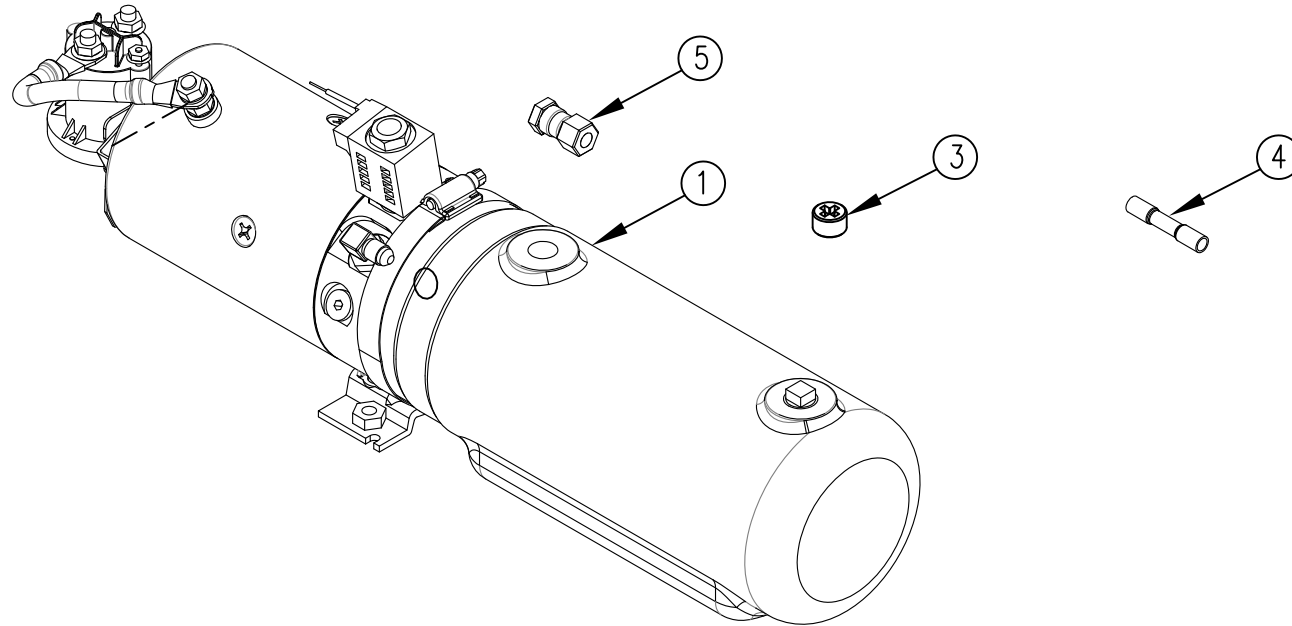


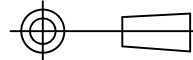
ITEM NO.	QTY.	PART NO.	DESCRIPTION
1	1	004338	MONARCH UNIT 319-0315 3QT(3000)1600
2	0.625 GAL	009034	HYDRAULIC OIL
3	1	004403*	VENT PLUG
4	1	009089	16-14 HEAT SHRINK BUTT CONNECTOR
5	1	012967	#4 FJIC TO #4 FEMALE NPT ADAPTOR (6506-4-4)
6	1	095048	REPLACEMENT POWER UNIT INSTALLATION INSTR.

\* ACCOUNTING DO NOT USE FOR B.O.M.



REV.	DATE	CHANGE RECORD	BY	APPVD	ECN	DRAFT	ANGULAR	SALES CATEGORY	PRODUCT LINE	SCALE	FIN. WT.	PART NO.
C	11/14/13	ADDED (1) 012967	GDB		1004	2'	±1'					
B	7/23/10	ADDED (1) 9089 AND (1) 95048	JCB		310							
										1:4		4366

THIRD ANGLE PROJECTION



DECIMAL	2PLC	3PLC
MACHINE SAW, DRILL	.030	.015
SHEAR, PUNCH FORM	.060	.030
TORCH, WELDING ROUGH CAST	.090	.060

FILENAME:

SYMBOLY PER ANSI Y14.5

DRAWN BY:  
DJR

DRAWN/DATE  
7/01/04

APPVD/DATE

SALES CATEGORY

NOTES:

WOODBINE MFG. CO.  
BUS BROWN DRIVE  
WOODBINE, IOWA 51579

712-647-2050



THE INFORMATION HERE IS CONFIDENTIAL AND MUST NOT BE USED IN ANYWAY DETRIMENTAL TO THE INTEREST OF WOODBINE MFG.

TITLE  
M319 REPLACEMENT PUMP&MOTOR(3000PSI)3QT.\*\*1646-1650