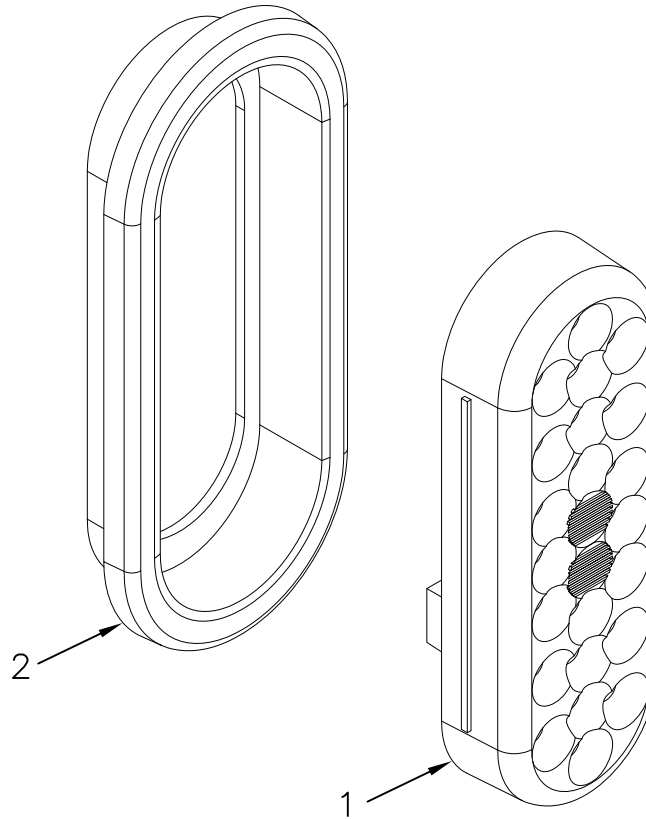


ITEM NO.	QTY.	PART NO.	DESCRIPTION
1	1	004046	RECESSED OVAL RED LIGHT ONLY - LED (12VDC)
2	1	004041	BLACK GROMMET - ECND 60



						THIRD ANGLE PROJECTION	FILENAME:	WOODBINE MFG. CO. BUS BROWN DRIVE WOODBINE, IOWA 51579			
							SYMBOLY PER ANSI Y14.5	NOTES:			
						DECIMAL 2PLC 3PLC	DRAWN BY. MTC	712-647-2050			
						MACHINE SAW, DRILL .030 .015	DRAWN/DATE 3/26/07				
C	11/9/10	REMOVED 4040	JCB	365		SHEAR, PUNCH FORM .060 .030	APPVD/DATE	THE INFORMATION HERE IS CONFIDENTIAL AND MUST NOT BE USED IN ANYWAY DETRIMENTAL TO THE INTEREST OF WOODBINE MFG.			
B	6/19/07	UPDATED PART INFORMATION	MTC	KGJ		TORCH, WELDING ROUGH CAST .090 .060	TITLE	REPLACEMENT RECESSED OVAL RED LIGHT LED w/GROMMET (12VDC)			
REV.	DATE	CHANGE RECORD	BY	APPVD	ECN	DRAFT 2*	SALES CATEGORY	PRODUCT LINE	SCALE N	FIN. WT. 0.63	PART NO. 904