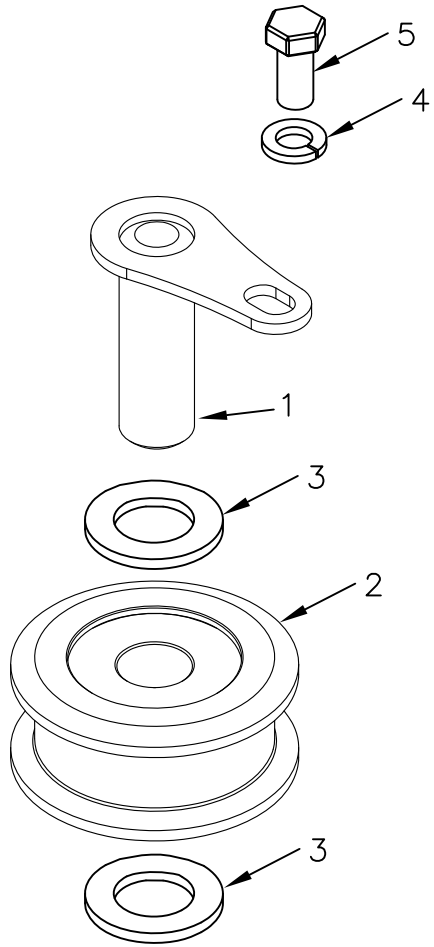


ITEM NO.	QTY.	PART NO.	DESCRIPTION
1	1	006278	PIN WELDMENT 20mm x 2.50
2	1	004141	PULLEY ASM - LEAF CHAIN - 3.00 OD
3	2	000578	3/4" SAE FLAT WASHER
4	1	000572	3/8" SPRING LOCK WASHER
5	1	000507	3/8-16x1/2" HHCS GR5



REV.	DATE	CHANGE RECORD	BY	APPVD	ECN	THIRD ANGLE PROJECTION	FILENAME:	SYMBOLY PER ANSI Y14.5	NOTES:	WOODBINE MFG. CO. BUS BROWN DRIVE WOODBINE, IOWA 51579																																	
B	8/13/15	UPDATED GRAPHIC	AAS		1465	<table border="1"> <tr> <td>DECIMAL</td> <td>2PLC</td> <td>3PLC</td> </tr> <tr> <td>MACHINE SAW, DRILL</td> <td>.030</td> <td>.015</td> </tr> <tr> <td>SHEAR, PUNCH FORM</td> <td>.060</td> <td>.030</td> </tr> <tr> <td>TORCH, WELDING ROUGH CAST</td> <td>.090</td> <td>.060</td> </tr> <tr> <td>DRAFT 2°</td> <td colspan="2">ANGULAR ±1°</td> </tr> </table>	DECIMAL	2PLC	3PLC	MACHINE SAW, DRILL	.030	.015	SHEAR, PUNCH FORM	.060	.030	TORCH, WELDING ROUGH CAST	.090	.060	DRAFT 2°	ANGULAR ±1°		<table border="1"> <tr> <td>DRAWN BY.</td> <td>JAR</td> </tr> <tr> <td>DRAWN/DATE</td> <td>10/17/11</td> </tr> <tr> <td>APPVD/DATE</td> <td></td> </tr> </table>	DRAWN BY.	JAR	DRAWN/DATE	10/17/11	APPVD/DATE		<table border="1"> <tr> <td>SALES CATEGORY</td> <td>PRODUCT LINE</td> <td>SCALE</td> <td>FIN. WT.</td> <td>PART NO.</td> </tr> <tr> <td></td> <td></td> <td>1:2</td> <td></td> <td>11773</td> </tr> </table>	SALES CATEGORY	PRODUCT LINE	SCALE	FIN. WT.	PART NO.			1:2		11773	<table border="1"> <tr> <td>712-647-2050</td> <td> </td> </tr> </table>	712-647-2050		<p>THE INFORMATION HERE IS CONFIDENTIAL AND MUST NOT BE USED IN ANYWAY DETRIMENTAL TO THE INTEREST OF WOODBINE MFG.</p>
DECIMAL	2PLC	3PLC																																									
MACHINE SAW, DRILL	.030	.015																																									
SHEAR, PUNCH FORM	.060	.030																																									
TORCH, WELDING ROUGH CAST	.090	.060																																									
DRAFT 2°	ANGULAR ±1°																																										
DRAWN BY.	JAR																																										
DRAWN/DATE	10/17/11																																										
APPVD/DATE																																											
SALES CATEGORY	PRODUCT LINE	SCALE	FIN. WT.	PART NO.																																							
		1:2		11773																																							
712-647-2050																																											
A	10/17/11	RELEASED TO PRODUCTION	JAR		529					<p>REPLACEMENT 3.00 OD PULLEY, PIN & KEEPER</p>																																	