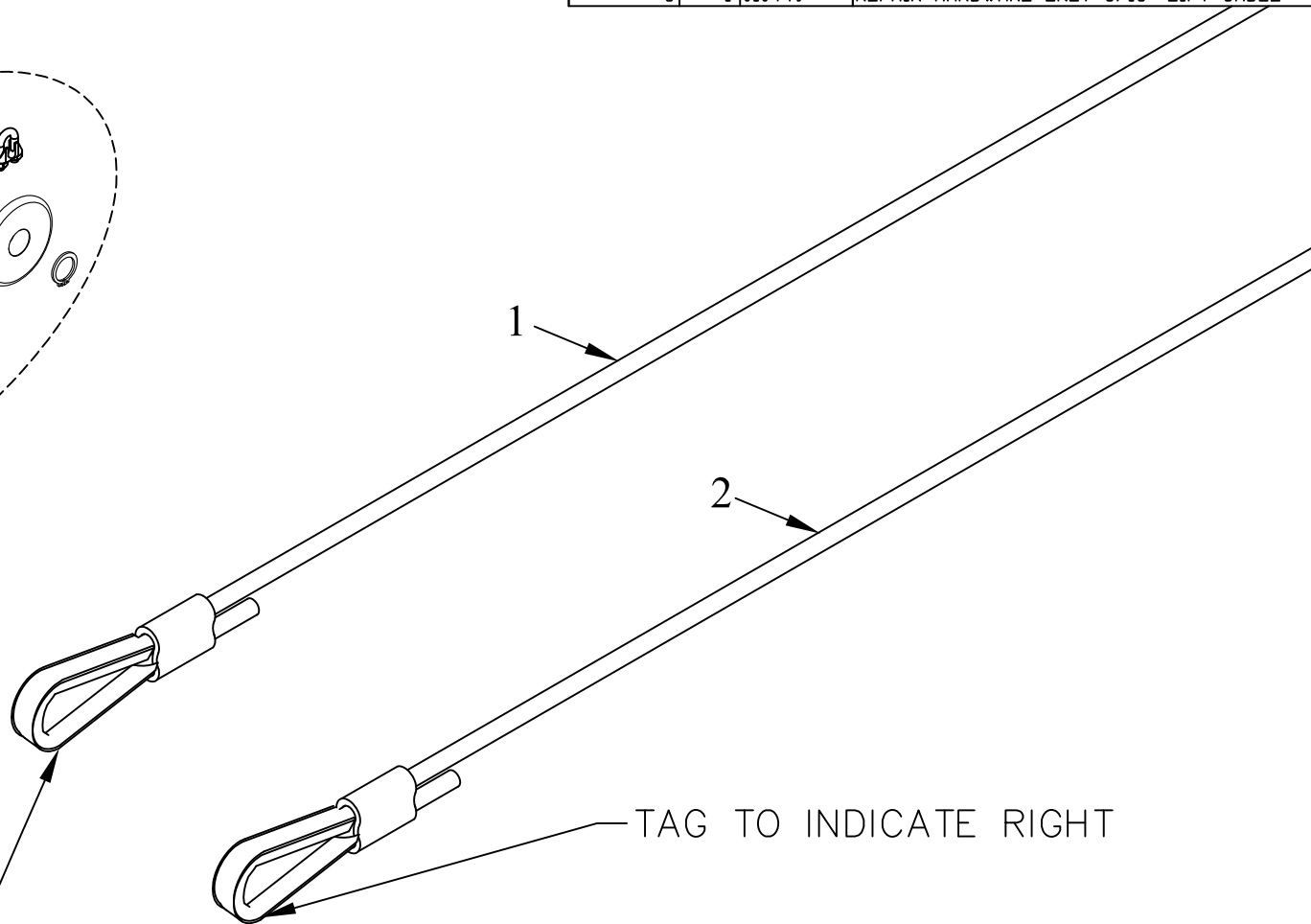
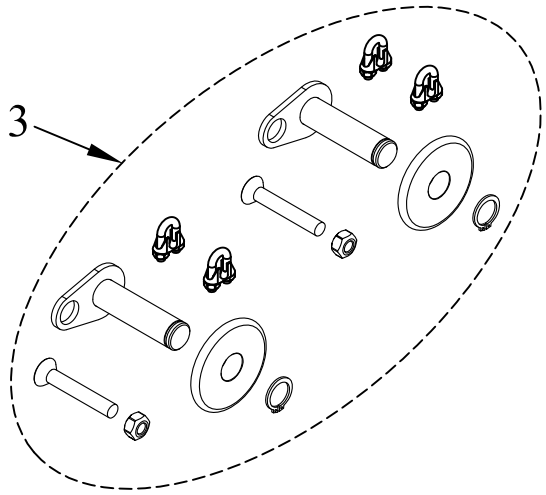


ITEM NO.	QTY.	PART NO.	DESCRIPTION
1	1	004597	5/16"x23FT CABLE ASY(91-16 LONG)
2	1	004619	5/16"X 14.96FT CABLE ASY(48-16 SHORT)
3	1	010449	REPAIR HARDWARE ONLY-5/16" LIFT CABLE



TAG TO INDICATE LEFT

TAG TO INDICATE RIGHT

REV.	DATE	CHANGE RECORD	BY	APPVD	ECN	DRAFT	ANGULAR	SALES CATEGORY	PRODUCT LINE	SCALE	FIN. WT.	PART NO.
						2'	±1°			N		3124
C	2/23/10	REMOVED PN004768 and PN000615 ; ADDED PN010449	MTC		270							
B	2/3/10	REMOVED (2) 4769; ADDED (2) 4768 AND (2) 615	JCB		262							

THIRD ANGLE PROJECTION		
DECIMAL	2PLC	3PLC
MACHINE SAW, DRILL	.030	.015
SHEAR, PUNCH FORM	.060	.030
TORCH, WELDING ROUGH CAST	.090	.060

FILENAME:	NOTES:
SYMBOLY PER ANSI Y14.5	
DRAWN BY. LSB	
DRAWN/DATE 1/27/09	
APPVD/DATE	TITLE
	UNIVERSAL SET OF 5/16" REPAIR CABLES

WOODBINE MFG. CO.  
 BUS BROWN DRIVE  
 WOODBINE, IOWA 51579  
 712-647-2050

THE INFORMATION HERE IS CONFIDENTIAL AND MUST NOT BE USED IN ANYWAY DETRIMENTAL TO THE INTEREST OF WOODBINE MFG.