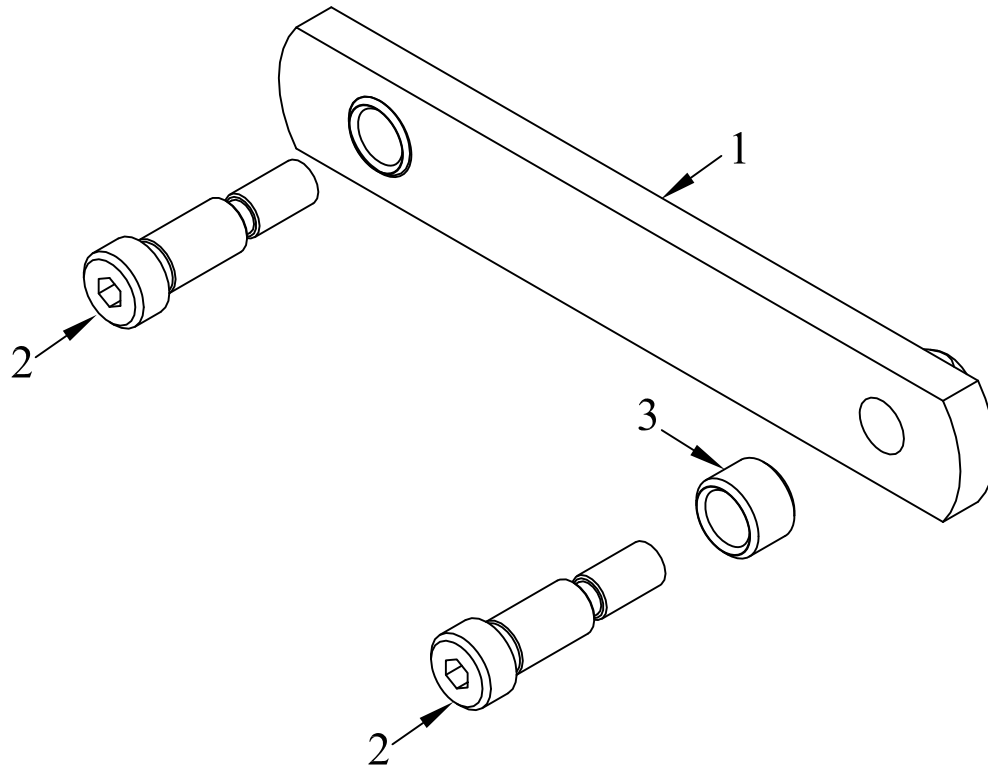


| ITEM NO. | QTY. | PART NO. | DESCRIPTION |
|----------|------|----------|--|
| 1 | 1 | 006974 | INSERT LINK SHORT COMPLETE(LND) |
| 2 | 2 | 000990 | 1/4-20 LINKAGE SHOULDER BOLT(LND) |
| 3 | 1 | 002084 | .32*I.D.x.44*O.D.x.281' BRONZE BUSHING |



| REV. | DATE | CHANGE RECORD | BY | APPVD | ECN | DRAFT | ANGULAR | SALES CATEGORY | PRODUCT LINE | SCALE | FIN. WT. | PART NO. |
|------|------|---------------|----|-------|-----|-------|---------|----------------|--------------|-------|----------|----------|
| | | | | | | 2' | ±1' | 45 | 8950 | N | | 9504 |

| | | |
|---------------------------|------------------------|--|
| THIRD ANGLE PROJECTION | FILENAME: | WOODBINE MFG. CO. |
| | SYMBOLY PER ANSI Y14.5 | BUS BROWN DRIVE |
| DECIMAL | 2PLC | 3PLC |
| MACHINE SAW, DRILL | .030 | .015 |
| SHEAR, PUNCH FORM | .060 | .030 |
| TORCH, WELDING ROUGH CAST | .090 | .060 |
| | DRAWN BY. DJR | 712-647-2050 |
| | DRAWN/DATE 11/29/05 | |
| | APPVD/DATE | THE INFORMATION HERE IS CONFIDENTIAL AND MUST NOT BE USED IN ANYWAY DETRIMENTAL TO THE INTEREST OF WOODBINE MFG. |
| | TITLE | REPLACEMENT SHORT INSERT LINK ASSEMBLY(LND) |