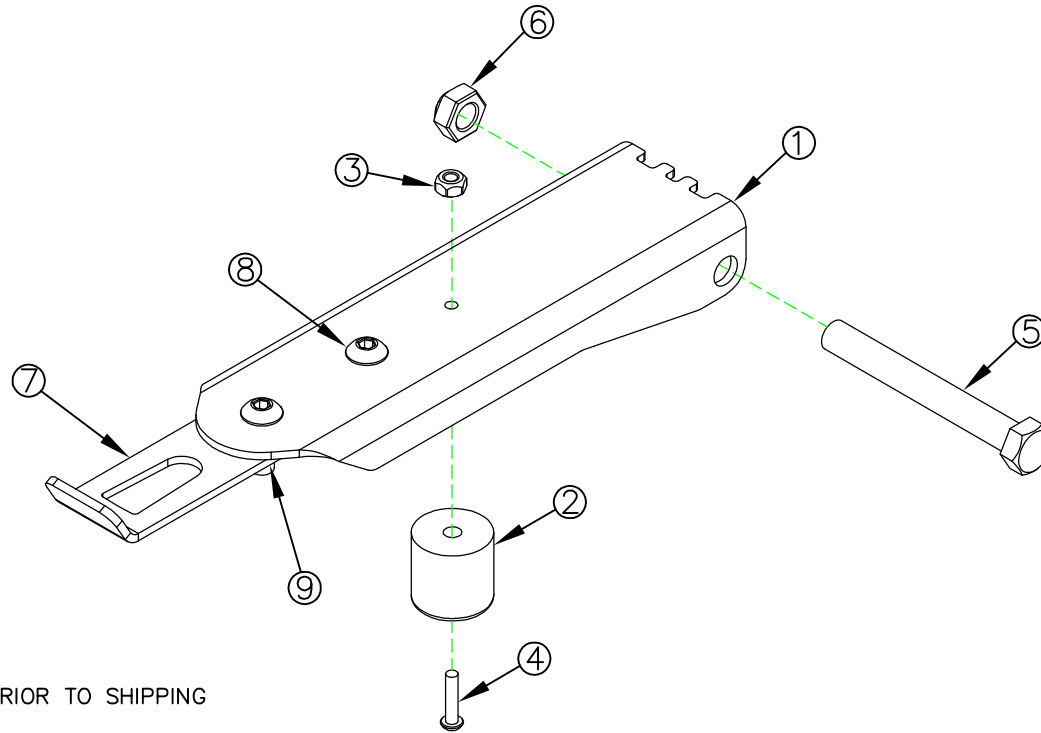


ITEM NO.	QTY.	PART NO.	DESCRIPTION
1	1	011229	LATCH BASE LND (G2-50)
2	1	010250	BUMPER 1.25 X 1.25
3	1	000602	10-24 NYLON LOCK NUT
4	1	010251	10-24 X 7/8" SLOT MACHINE SCREW
5	1	000544	1/2-13x4"HHCS GR5
6	1	000588	1/2-13 CROWN LOCK NUT
7	1	011230	LATCH TONGUE LND (G2-50)
8	2	000737	3/8-16 X 1 BUTTON HEAD CAP SCREW ZP
9	2	000553	3/8-16 LARGE FLANGE LOCK NUT



NOTE: ASSEMBLE BASE AND TONGUE PRIOR TO SHIPPING

REV.	DATE	CHANGE RECORD	BY	APPVD	ECN	THIRD ANGLE PROJECTION	FILENAME:	SYMBOLY PER ANSI Y14.5	NOTES:	WOODBINE MFG. CO. BUS BROWN DRIVE WOODBINE, IOWA 51579																									
B	11/11/11	10135 IS NOW 11229, 11230, 737, AND 553; 602 WAS 532	JAR		533	<table border="1"> <tr> <td>DECIMAL</td> <td>2PLC</td> <td>3PLC</td> </tr> <tr> <td>MACHINE SAW, DRILL</td> <td>.030</td> <td>.015</td> </tr> <tr> <td>SHEAR, PUNCH FORM</td> <td>.060</td> <td>.030</td> </tr> <tr> <td>TORCH, WELDING ROUGH CAST</td> <td>.090</td> <td>.060</td> </tr> <tr> <td>DRAFT 2°</td> <td>ANGULAR ±1°</td> <td></td> </tr> </table>	DECIMAL	2PLC	3PLC	MACHINE SAW, DRILL	.030	.015	SHEAR, PUNCH FORM	.060	.030	TORCH, WELDING ROUGH CAST	.090	.060	DRAFT 2°	ANGULAR ±1°					<table border="1"> <tr> <td>DRAWN BY:</td> <td>JCB</td> </tr> <tr> <td>DRAWN/DATE:</td> <td>1/25/10</td> </tr> <tr> <td>APPVD/DATE:</td> <td></td> </tr> <tr> <td>TITLE:</td> <td>G2 (LD) REPLACEMENT LATCH KIT-LEFT</td> </tr> </table>	DRAWN BY:	JCB	DRAWN/DATE:	1/25/10	APPVD/DATE:		TITLE:	G2 (LD) REPLACEMENT LATCH KIT-LEFT	712-647-2050	
DECIMAL	2PLC	3PLC																																	
MACHINE SAW, DRILL	.030	.015																																	
SHEAR, PUNCH FORM	.060	.030																																	
TORCH, WELDING ROUGH CAST	.090	.060																																	
DRAFT 2°	ANGULAR ±1°																																		
DRAWN BY:	JCB																																		
DRAWN/DATE:	1/25/10																																		
APPVD/DATE:																																			
TITLE:	G2 (LD) REPLACEMENT LATCH KIT-LEFT																																		
A	1/25/10	DRAWN IN AUTOCAD	JCB		259					<p>THE INFORMATION HERE IS CONFIDENTIAL AND MUST NOT BE USED IN ANYWAY DETRIMENTAL TO THE INTEREST OF WOODBINE MFG.</p>																									
										<p>SALES CATEGORY</p> <p>PRODUCT LINE</p> <p>SCALE 1:3</p> <p>FIN. WT. 1.02</p> <p>PART NO. 10460</p>																									