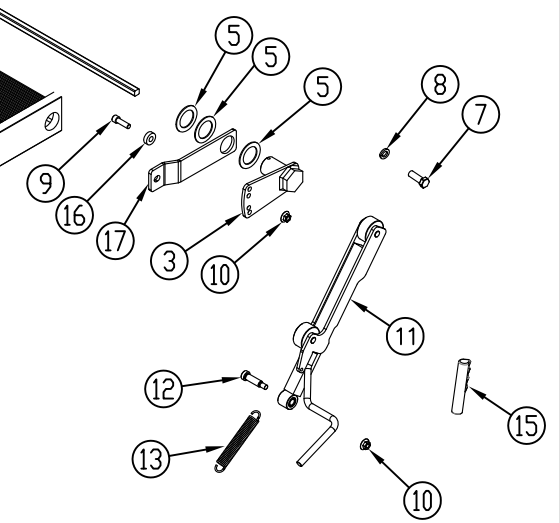
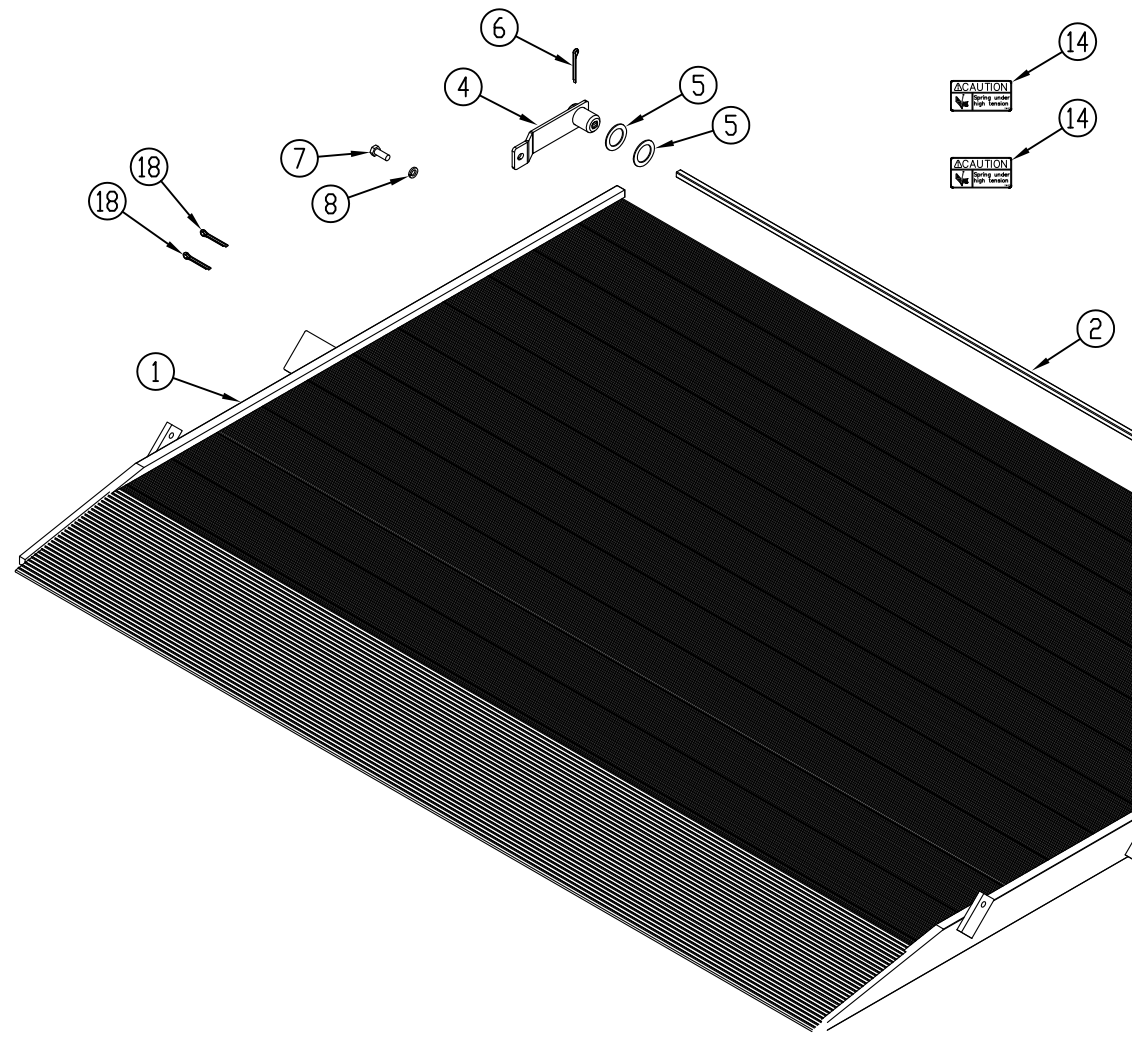
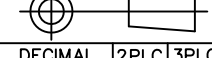


ITEM NO.	QTY.	PART NO.	DESCRIPTION
1	1	011344	(89) 55+12 ALUMINUM SC/TA PLATFORM COMPLETE
2	1	005038	5/8" X 90-3/4 RAIL TORSION SPRING (89)
3	1	001989	5/8" RAIL TORSION SPRING HOLDER (PASS.)
4	1	011157	5/8" RAIL TORSION SPRING HOLDER (DR)
5	5	000582	1-1/2" NARROW RIM MACHINE BUSHING
6	1	004720	1/4"x2" COTTER PIN
7	2	000521	1/2"-13x1-1/4" HHCS GR5
8	2	000573	1/2" SPRING LOCK WASHER
9	1	000596	3/8-16x1-1/2" USS SOC HD CAP
10	2	000553	3/8-16 LARGE FLANGE LOCK NUT
11	1	010406	SELF CLOSE ARM (RIGHT) WITH HANDLE
12	1	001902	1/2"DIA.x1-1/2" CHROME PLATED SHOULDER BOLT
13	1	001914	0.115"WIREX0.75"X5.5' EX. SPRING
14	2	009540	CAUTION DECAL - TORSION SPRING
15	1	002657	HANDLE GRIP
16	1	013291	5/16" TORSION SPRING SPACER
17	1	011155	TORSION ARM RAIL (DR)
18	2	004721	1/8"X3/4" COTTER PIN
19	1	095087	REPAIR (25/30) RAIL TORSION ASSIST SPRING INSTRUCTIONS



REV.	DATE	CHANGE RECORD	BY	APPVD	ECN	DRAFT	ANGULAR	SALES CATEGORY	PRODUCT LINE	SCALE	FIN. WT.	PART NO.
D	9/21/17	UPDATED PLATFORM GRAPHIC	AAS		1953	2' PLG	3' PLG					
C	12/30/15	REMOVED ACCOUNTING NOTE	AAS		1546	MACHINE SAW, DRILL	.030 .015					
B	3/26/13	ADDED (2) 582, (1) 521, (1) 573, (1) 13291, (1) 11155, AND (2) 4721; REPLACED 594 W/ 596	JCB		852	SHEAR, PUNCH FORM	.060 .030					
A	1/10/12	RELEASE TO PRODUCTION	JAR		570	TORCH, WELDING ROUGH CAST	.090 .060					
						DRAFT 2'	ANGULAR ±1'			1:15		
												11733

THIRD ANGLE PROJECTION



FILENAME:

SYMBOLY PER ANSI Y14.5

DRAWN BY: JAR

DRAWN/DATE: 1/5/12

APPVD/DATE:

SALES CATEGORY: PRODUCT LINE: SCALE: FIN. WT. PART NO.

WOODBINE MFG. CO.
BUS BROWN DRIVE
WOODBINE, IOWA 51579



THE INFORMATION HERE IS CONFIDENTIAL AND MUST NOT BE USED IN ANYWAY DETRIMENTAL TO THE INTEREST OF WOODBINE MFG.

NOTES:

TITLE: (89) 55+12 SC/TA REPLACEMENT ALUMINUM PLATFORM