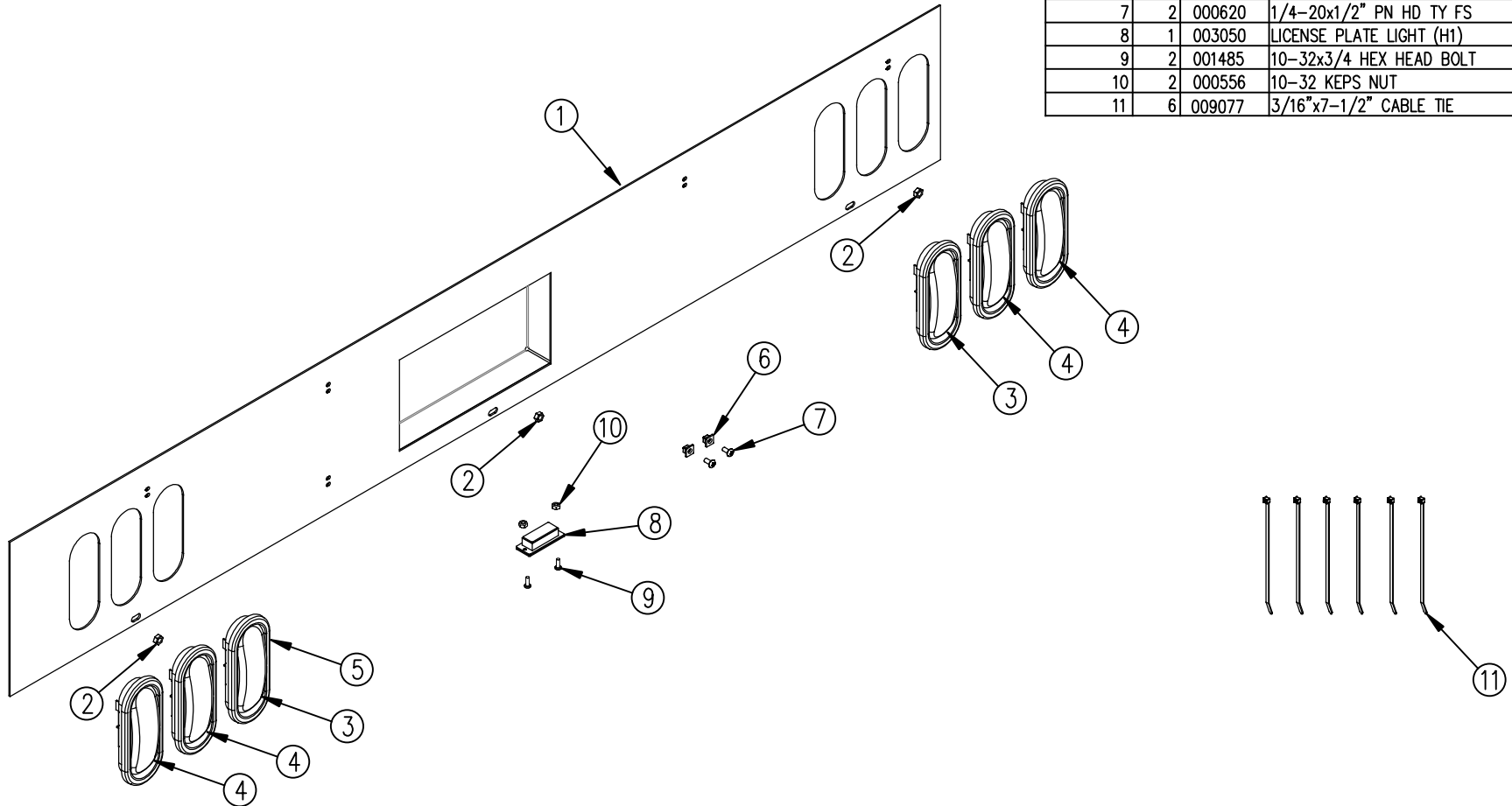
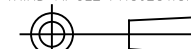



ITEM NO.	QTY.	PART NO.	DESCRIPTION
1	1	011149	BOX COVER WELDMENT (25/30) 95
2	3	000631	5/16-18 SERRATED FLANGENUT (WHIZLOCK)
3	2	004042	RECESSED OVAL CLEAR LIGHT ONLY-ECONO 60 (12VDC)
4	4	004043	RECESSED OVAL RED LIGHT ONLY-ECONO 60 (12VDC)
5	6	004041	BLACK GROMMET - ECONO 60
6	2	000628	LICENSE PLATE NUT
7	2	000620	1/4-20x1/2" PN HD TY FS
8	1	003050	LICENSE PLATE LIGHT (H1)
9	2	001485	10-32x3/4 HEX HEAD BOLT
10	2	000556	10-32 KEPS NUT
11	6	009077	3/16"x7-1/2" CABLE TIE



REV.	DATE	CHANGE RECORD	BY	APPVD	ECN	DRAFT	ANGULAR	FILENAME:	NOTES:	WOODBINE MFG. CO. BUS BROWN DRIVE WOODBINE, IOWA 51579	
B	9/28/16	REMOVED PN6720	MTC		1710	2'	±1'	SYMBOLY PER ANSI Y14.5		 MACHINE SAW, DRILL .030 .015 SHEAR, PUNCH FORM .060 .030 TORCH, WELDING ROUGH CAST .090 .060	 THE INFORMATION HERE IS CONFIDENTIAL AND MUST NOT BE USED IN ANYWAY DETRIMENTAL TO THE INTEREST OF WOODBINE MFG.
A	11/4/11	RELEASED TO PRODUCTION	JAR		539			DRAWN BY: JAR			
								DRAWN/DATE 11/4/11		TITLE REPLACEMENT STEEL BOX COVER W/LIGHTS (25/30) 95	
								SCALE NTS	FIN. WT.	PART NO. 11779	