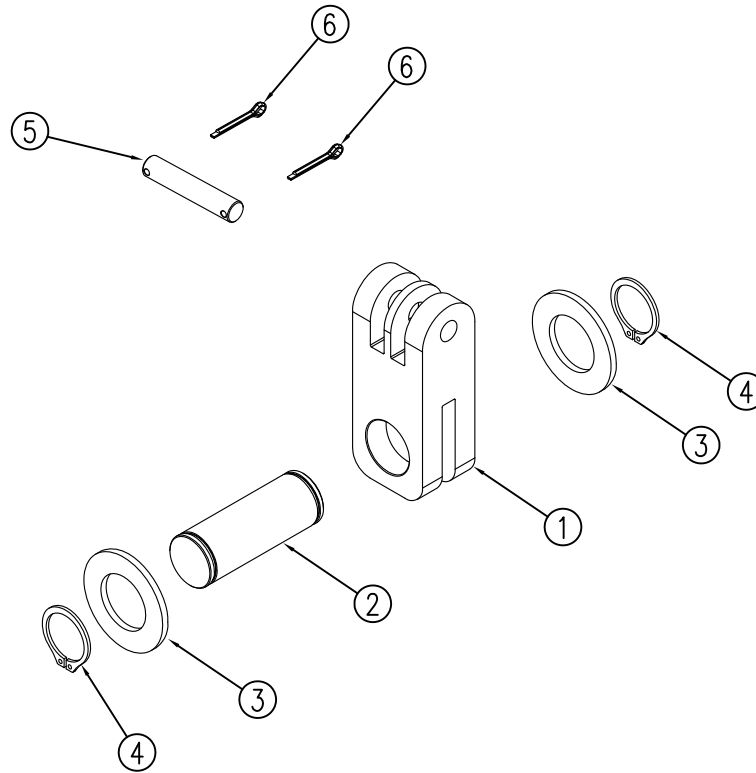


ITEM NO.	QTY.	PART NO.	DESCRIPTION
1	1	008340	SLIDER CLEVIS (25/30)
2	1	006281	15MM X 1.625 PIN
3	2	007115	5/8" NARROW RIM BUSHING
4	2	010398	15MM EXTERNAL SNAP RING
5	1	008204	PIN LEAF CHAIN (25/30)
6	2	009967	1/16"x1/2" COTTER PIN



						THIRD ANGLE PROJECTION	FILENAME: KITS(Repair Parts)\Railgate\007947	WOODBINE MFG. CO. BUS BROWN DRIVE WOODBINE, IOWA 51579
							SYMBOLY PER ANSI Y14.5	NOTES:
						DECIMAL	2PLC	3PLC
						MACHINE SAW, DRILL	.030	.015
						SHEAR, PUNCH FORM	.060	.030
						TORCH, WELDING ROUGH CAST	.090	.060
						DRAFT 2'	ANGULAR ±1'	SALES CATEGORY
A	10/17/11	RELEASED TO PRODUCTION	JAR	529				PRODUCT LINE
REV.	DATE	CHANGE RECORD	BY	APPVD	ECN			SCALE
								FIN. WT.
								PART NO.
								11794



712-647-2050
THE INFORMATION HERE IS CONFIDENTIAL AND MUST NOT BE USED IN ANYWAY DETRIMENTAL TO THE INTEREST OF WOODBINE MFG.