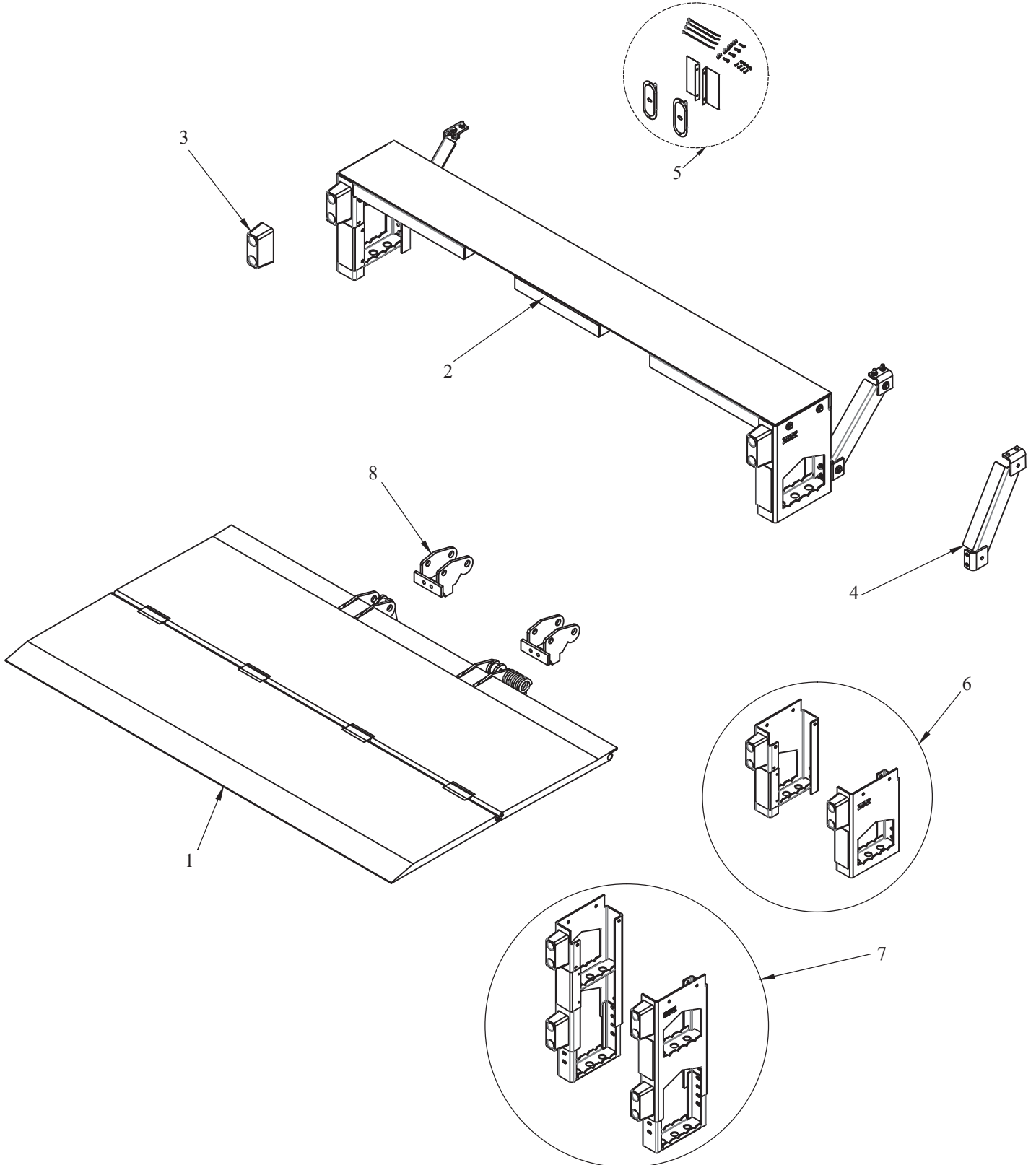
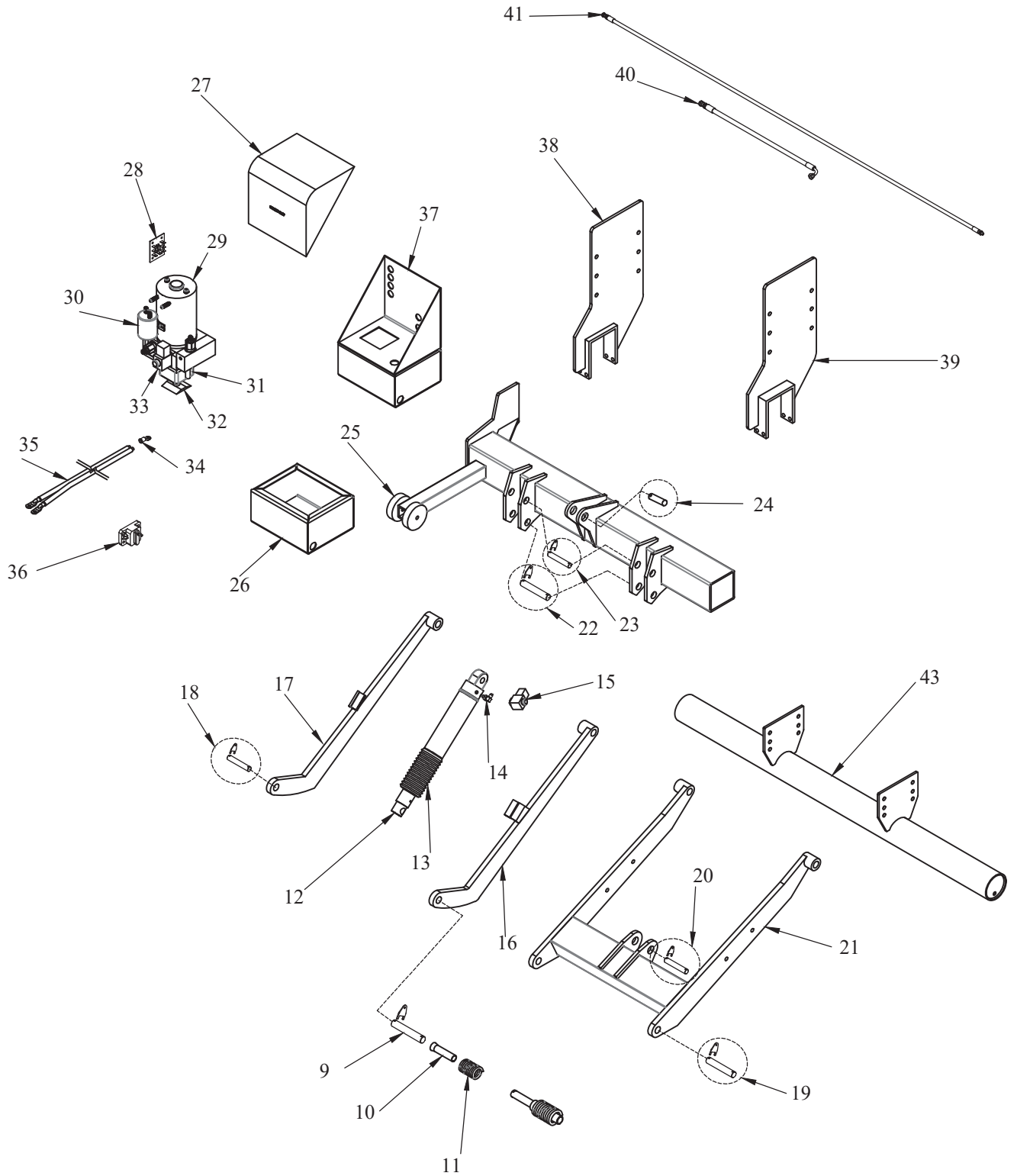


TKL SERIES
REPAIR PARTS DRAWING
(WITH INTERNAL TIMED ELECTRIC TOGGLE CONTROL)



TKL SERIES
REPAIR PARTS DRAWING
(WITH INTERNAL TIMED ELECTRIC TOGGLE CONTROL)



**TKL SERIES
REPAIR PARTS DRAWING
(WITH INTERNAL TIMED ELECTRIC TOGGLE CONTROL)**

ITEM#	DESCRIPTION	ITEM#	DESCRIPTION
1	Platform	34	Copper Lug
2	Bed Extension	35	2 GA. 4 Wire Electric Cable
3	Dock Bumper	36	Manual Reset Circuit Breaker
4	Bed Extension Brace	37	Power Unit Metal Box
5	Stop Tail Turn and Backup Light Kit	38	Left Mounting Plate
6	Short and No Adjustable Side Step	39	Right Mounting Plate
7	Tall and Adjustable Side Step	40	Hydraulic Cylinder Hose
8	Platform Link	41	Power Unit Rubber Hose
9	Spring Pin w/ Keeper		
10	Spring-pin Protection		
11	Platform Folding Spring		
12	Lift Cylinder		
13	Cylinder Dust Cover		
14	Elbow		
15	EVBS Solenoid		
16	Right Lift Arm		
17	Left Lift Arm		
18	1-1/4" Lift Arm Pin w/ Keeper		
19	Lift H Arm Pin & Keeper		
20	Head Cylinder Pin w/ Keeper		
21	Lift H Arm		
22	Frame H Arm Pin w/ Keeper		
23	Frame Lift Arm Pin w/ Keeper		
24	Bottom Cylinder Pin		
25	Roller Wheel Kit		
26	Power Unit Reservoir		
27	Power Unit Cover		
28	Electric Board		
29	Electric Motor		
30	Starter Relay		
31	Hydraulic Pump		
32	Oil Filter		
33	EVR Solenoid		

Note:

The item number **is not** the part number. Please have the model number and serial number available before calling for repair parts.