

DETAILED LIFTGATE DIMENSIONS



FLATBED, STAKE, & VAN BODY

TUCKUNDER
SERIES



TKL MODELS

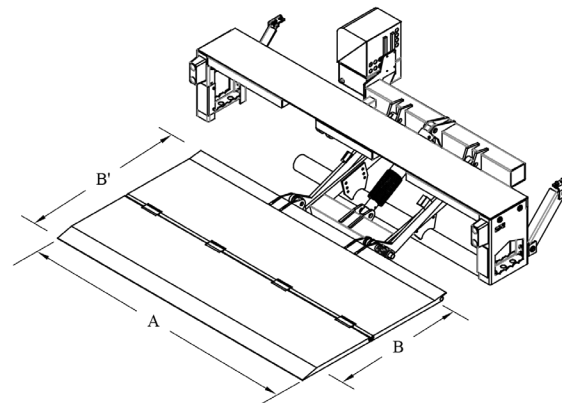
Model	Bed Height 1	Lifting Capacity	Gate Weight 2	Platform	Loading Width	Loading Depth	Overall Platform Width	Front Taper	Back Taper	Overall Platform Depth	Base Platform Depth	Flipper Platform Depth
	D	A	B	C1	C2	B'	J	K				
TKL-78-25-EA33	33-47	2500	511	78	33	78-3/4	4	4	41	17	16	
TKL-78-25-EA37	35-47		519	78	37	78-3/4	4	4	45	19-1/2	17-1/2	
TKL-78-25-EA41	37-47		534	78	41	78-3/4	4	4	49	21-1/2	19-1/2	

- NOTES**
1. Minimum bed heights (laden). Maximum bed heights (unladen)
 2. Must add bed extension for total gate weight.

Bed Extensions	Treadplate Thickness	Bed Extension Width	Side Step	Bed Height	Bed-Extension Weight	Bumper Bar Weight (optional)
94" (fits 96" body size)	3/16	94-1/2	FX ³	33-39	218	46
94" (fits 96" body size)	3/16	94-1/2	ADJ ³	40-47	257	46
100" (fits 102" body size)	3/16	100-1/2	FX ³	33-39	283	46
100" (fits 102" body size)	3/16	100-1/2	ADJ ³	40-47	341	46

- NOTES**
3. 18-inch, fixed side steps (FX) are only available on bed heights 33 - 39-inch. 25"-31", adjustable side steps (ADJ) are only available on bed heights 40 - 47-inch.

ABOVE VIEW
(shown with bumper bar)



TKL LIFTGATE DIMENSIONS - 2500 LBS

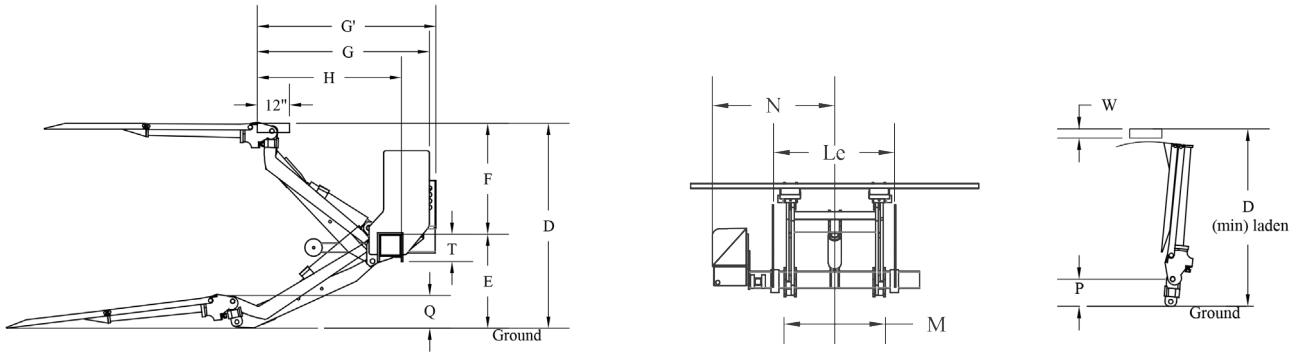
D - Bed Height	E	F	G ⁴	G' ⁴	Le		Q	M	N	T	P	W
					max	min						
33	21.0	12	43.25	45.25	37.0	32.0	6.0	26.7	32.9	5.9	5.2	2.7
34	21.0	13	43.75	45.75								
35	21.0	14	44.25	46.25								
36	21.0	15	43.75	45.75								
37	21.0	16	43.25	45.25								
38	21.0	17	42.75	44.75								
39	21.0	18	42.25	44.25								
40	21.0	19	41.50	43.50								
41	21.0	20	40.75	42.75								
42	21.0	21	39.25	41.25								
43	21.5	21.5	39.25	41.25								
44	22.5	21.5	39.25	41.25								
45	23.5	21.5	39.25	41.25								
46	24.5	21.5	39.25	41.25								
47	25.5	21.5	39.25	41.25								

NOTES

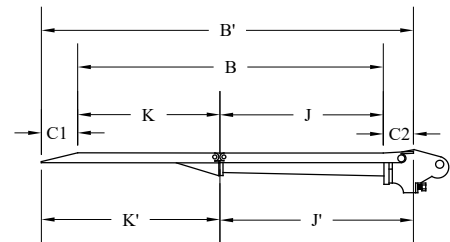
- 4. When calculating horizontal clearance deduct 12" from G & G'.

IMPORTANT

- All dimensions in inches.
- G: distance between platform and the end of the bracket.
- G': distance between the platform and the end of the power unit
- H: distance between the platform and the back of the trunion. (H=G-5")



Minimum Bed Height				
Model	Platform Length (B')	J'	K'	Minimum Bed Height (D)
TKL-78-25EA33	41"	21"	20"	33"
TKL-78-25EA37	45"	23"	21"	35"
TKL-78-25EA41	49"	35.5"	23.5"	37"



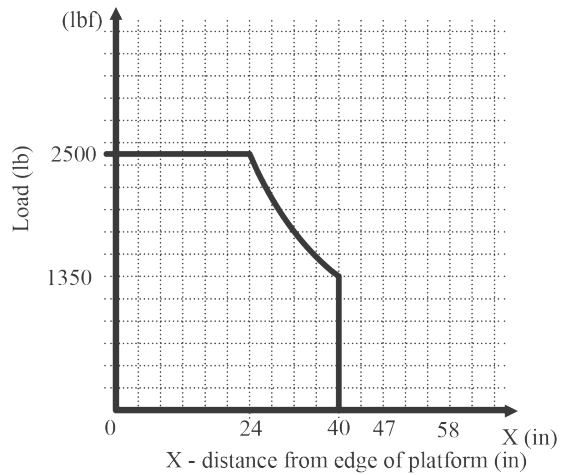
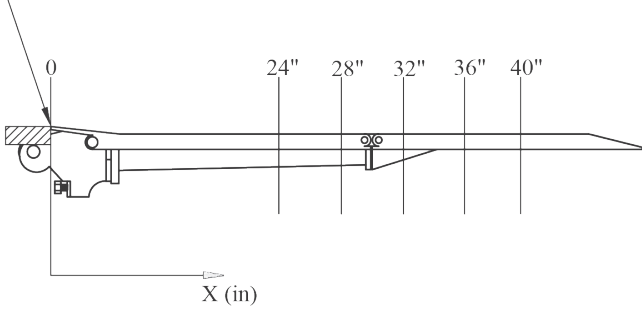
DETAILED LIFTGATE DIMENSIONS

TKL LOAD CAPACITY

Model	Platform Length (in)	Gate Weight (lbs)	Lifting Capacity (lb)	Full Load Raise Speed (in/s)	Full Load Lower Speed (in/s)	Hydraulic Fluid Tank Capacity (gal.)	Max Relief Valve Setting (psi)
TKL-78-25-EA33	41	511	2500 lbs.	78	33	78 3/4	4
TKL-78-25-EA37	45	519		78	37	78 3/4	4
TKL-78-25-EA41	49	534		78	41	78 3/4	4

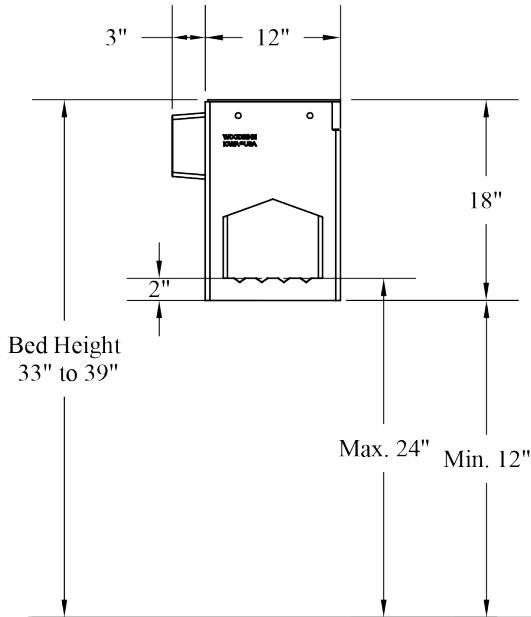
		Load Capacity at Distance (X) from the Edge of Platform (inches)								
(X)		0"-----24"	26"	28"	30"	32"	34"	36"	38"	40"
TKL 25	Load Capacity (lbs)	2500	2360	2130	1910	1740	1630	1500	1400	1350

EDGE OF PLATFORM

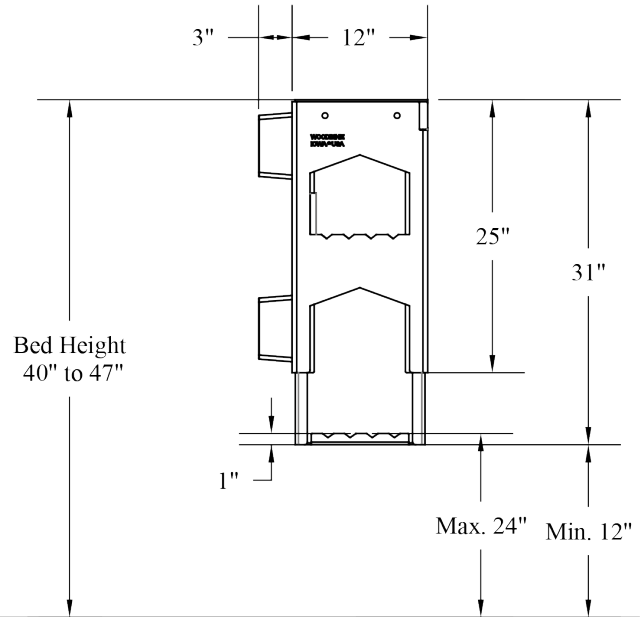


TKL SIDE STEP DIMENSIONS

Fixed Side Step (FX)



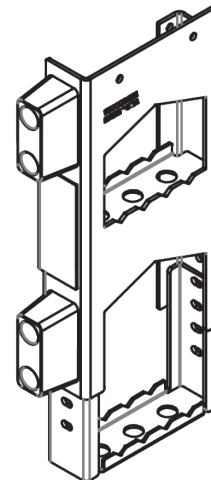
Adjustable Side Step (ADJ)



Fixed Side Step (FX)



Adjustable Side Step (ADJ)



Tommy Gate® liftgates are industrial products for material handling only and are not to be used as personnel or wheelchair lifts. For safe handling and operating instructions, visit www.tommygate.com.