

Preparing the Uprights

1. **Unlatch** and **Unfold** the platform.
2. **Lower** the platform to the ground.
3. **Disconnect** the 4ga power cable from the battery, or manually **Trip** the circuit breaker.
4. **Remove** the upright caps (Figure 1). Upright cap design varies.
5. **Remove** the three screws holding the control to the upright, (recessed controls only).
6. **Remove** the control from the upright and allow it to hang by the control wire, (recessed controls only).
7. **Remove** the old latches and latch pin bolts.
Skip this step if adjusting the latches only.

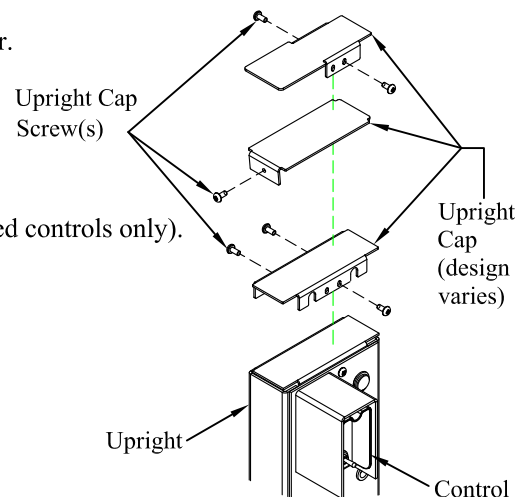


Figure 1: Upright cap.

Installing the New Latches

Note: Skip this section if adjusting the latches only.

1. **Install** the latch pin bolts and lock nuts (Figure 2).
Passenger side requires lock washer on the outside of upright.
2. **Install** the latches with hardware as shown (Figure 2).

Adjusting the Latches

1. **Adjust** the spring height. Driver side should measure 1" and passenger side should measure 7/8" (Figure 2).
2. **Loosen** the platform latch pins with a screw driver and wrench (Figure 3).
3. **Reconnect** the 4ga. power cable to the battery or **Reset** the circuit breaker.
4. **Raise** the liftgate to the fully raised position.
5. **Close** and **Latch** the platform.
6. **Position** each latch pin in the latch hole/slot (Figure 4):
-Centered vertically.
-With an 1/8" gap toward the rear of the vehicle.
7. **Tighten** each latch pin to approximately 20 ft-lb.
8. **Reinstall** the control.
9. **Reinstall** the upright caps.

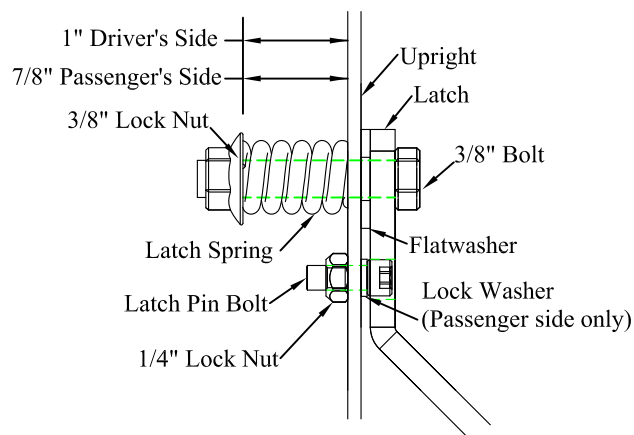


Figure 2: Platform latch assembly.

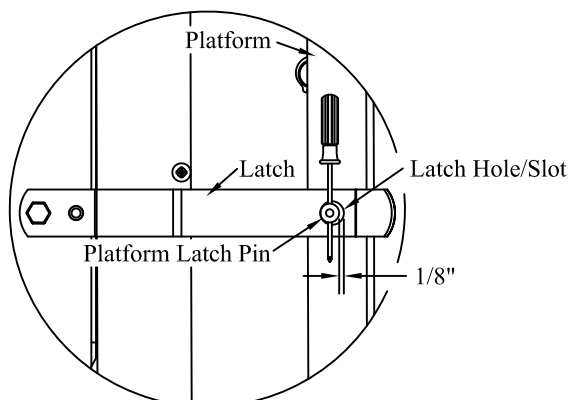


Figure 4: Platform latch pin position.

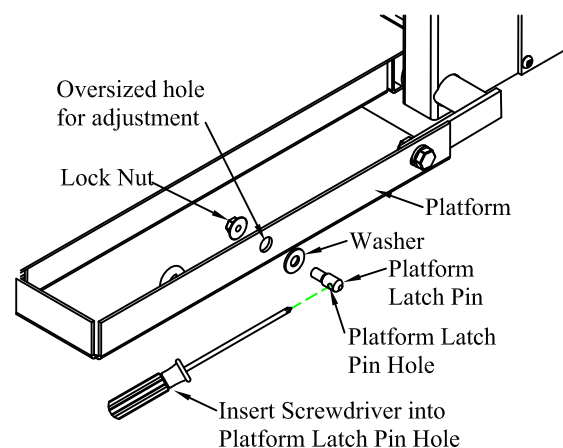


Figure 3: Platform latch pin.